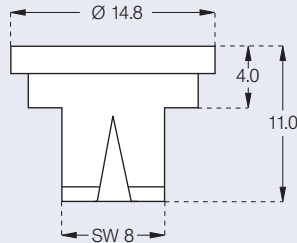


Off center flat spray nozzles OC (small sizes)

Spray angle: 90°

Material: brass, stainless steel

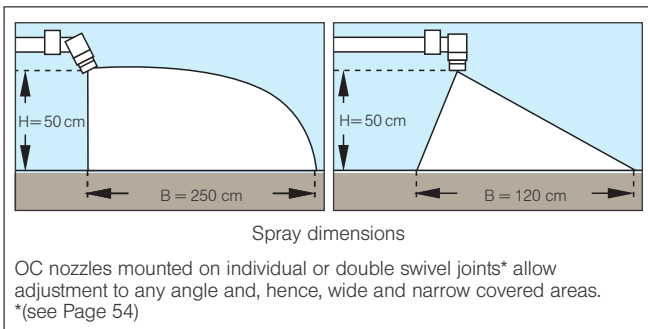


Features

- Asymmetrical spray pattern via eccentric orifice
- Off center flat spray nozzle
- Nozzle Sizes 2 to 30
- Pressure range 1.5 to 5.0 bar
- Fits all bayonet cap systems with 8 mm AF or threaded caps
- Droplet spectrum medium to fine

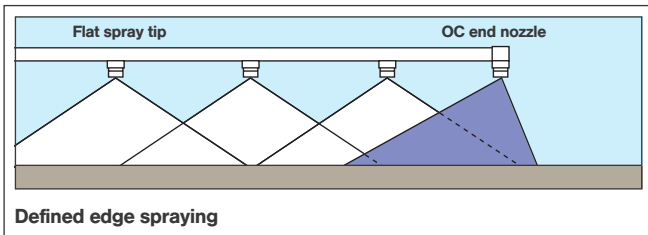
Range of application

- Adaption of boom width for defined edge spraying respectively extension
- Banding in orchards, vineyards, tree nurseries, special cultures
- Underleaf application of herbicides in row crops (e.g. sugar beets, asparagus)

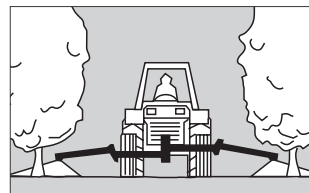
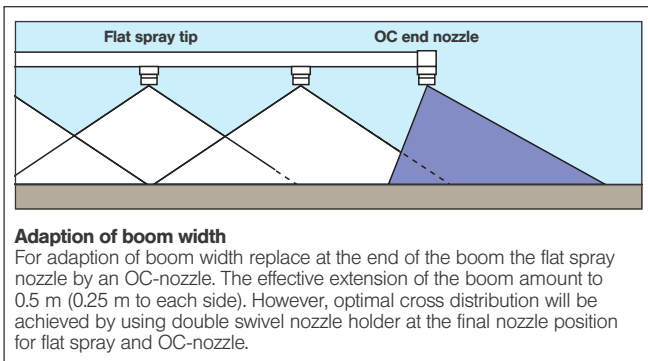


		l/min ⊙ [bar]				
		1.5	2.0	3.0	4.0	5.0
OC 2	60	0.49	0.65	0.80	0.92	1.03
OC 3	60	0.88	1.01	1.24	1.43	1.60
OC 4	60	1.11	1.28	1.56	1.81	2.02
OC 5	25	1.37	1.58	1.94	2.24	2.50
OC 6	25	1.64	1.90	2.32	2.68	3.00
OC 8	25	2.16	2.50	3.06	3.53	3.95
OC 12	25	3.47	4.00	4.90	5.66	6.33
OC 20	25	5.45	6.30	7.71	8.91	9.96
OC 30	25	8.66	10.00	12.25	14.14	15.81

- Application data valid for water
- Gauge the nozzle flow rates prior to each spraying season
- Spray pressure at the nozzle tip (gauged with a diaphragm valve)



Nozzle size in boom	Recommended OC-end nozzle	
	Adaption of boom width	Defined edge spraying
-015	OC 2	-
-02	OC 3	OC 2
-03	OC 4	OC 3
-04	OC 5	OC 4
-05	OC 6	OC 5
-06	OC 8	OC 6
-08	OC 12	OC 8



Banding in orchards/vineyards



Underleaf spraying in row crops

Sample order

Type + material = order number
 OC 2 brass = OC 2 brass
 OC 2 S (stainless steel) = OC 2 S