

# BLOBOY® Gravity

## Pneumatic Conveying Systems for Dry Premixed Building Materials

quick return on investment



BLOBOY® Gravity

# BLOBOY® Gravity

Pneumatic Conveying Systems for  
Dry Premixed Building Materials

BLOBOY® is an independent pneumatic conveying system for dry premixed building materials as mortars or plasters, stored in building site silos.

WAM® offers a complete range of applications for pressured silos.

BLOBOY® conveys the premixed building material directly to the mixer or plaster sprayer which is located next to the application area.

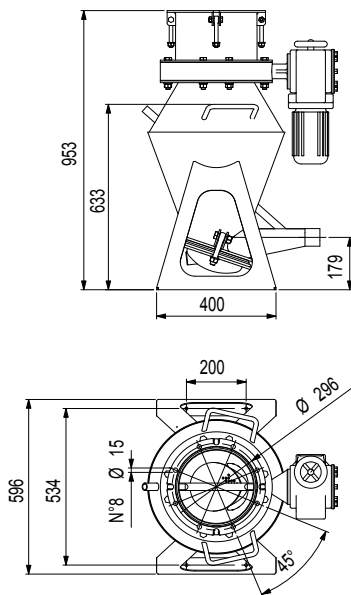
The system consists of:

- **A TRANSPORTER** suitable for collection/conveying a certain quantity of dry premixed material stored in a building site silo.
- **A COMPRESSOR** for transfer of the premixed material from the silo to the mixer (or plaster sprayer)
- **A CONTROL PANEL** for fully automatic management of work cycles, including work pauses and material discharge from the silo.

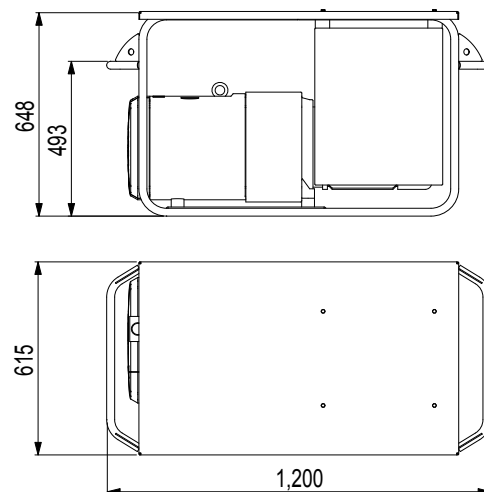
## Overall Dimensions



TRANSPORTER



COMPRESSOR & CONTROL PANEL



Conveying Distance	≤ 75 m
Product Throughput Rate	20 - 30 kg/min
Input	400 V, 3-phase, 50 Hz
Plug	CEE 16/32 A (4 poles)

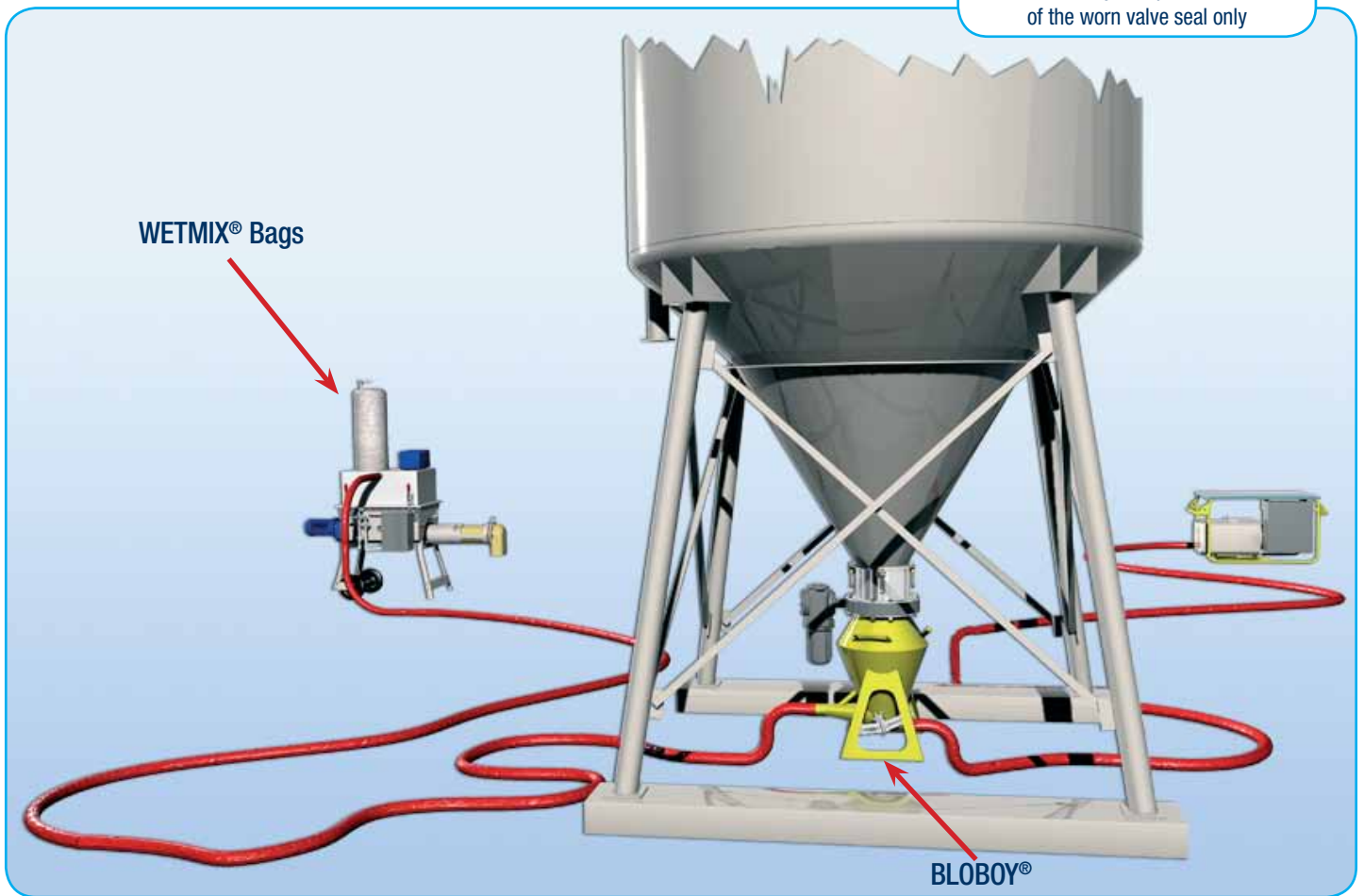
Compressor	5.5 / 7.5 kW
Max. pressure	P = 2.0 bar (20 PSI)
Air capacity	100 / 140 Nm <sup>3</sup> /h
Noise level	85 +/- 1 dB(A)

## Benefits

- ✓ Easy to transport, install and use
- ✓ Fully automatic work cycle management of all devices connected
- ✓ Intelligent sensor-equipped plugging prevention system
- ✓ Quick and easy dust-free material transfer
- ✓ Modular compressor unit
- ✓ All components WAM® made



Possibility of replacement of the worn valve seal only



## Accessories

COVER for plaster sprayer (or Wetmix® Bags) including level sensor and filter element



42V LEVEL SENSOR with switch for remote conveying cycle control



BOOSTED COMPRESSOR for 100m³/h or 140 m³/h



MODULAR MATERIAL CONVEYING PIPE (2 x 25mt.) in wear-resistant transparent polyurethane



# Application



03/02/17 November 2012 Rights reserved to modify technical specifications.



[www.wamgroup.com](http://www.wamgroup.com)