



**ANDERSON GREENWOOD**  
INSTRUMENTATION PRODUCTS

**Soft-Seated Bonnet Assembly**

The soft-seated bonnet assembly has a one-piece rotating stem and plug. The stem threads are rolled and lubricated to prevent galling and reduce operating torque. Available with a patented PTFE packing gland, which is adjustable in service, or with a Viton® O-ring and PTFE back-up ring. A protective dust cap is fitted to contain stem lubricant and prevent the ingress of contaminants. The standard hand valves have either 3/16-inch [4.8 mm] or 1/4-inch [6.4 mm] diameter orifice size. All bonnets are assembled with a bonnet locking pin to prevent accidental removal while in service.

**Metal-Seated Bonnet Assembly**

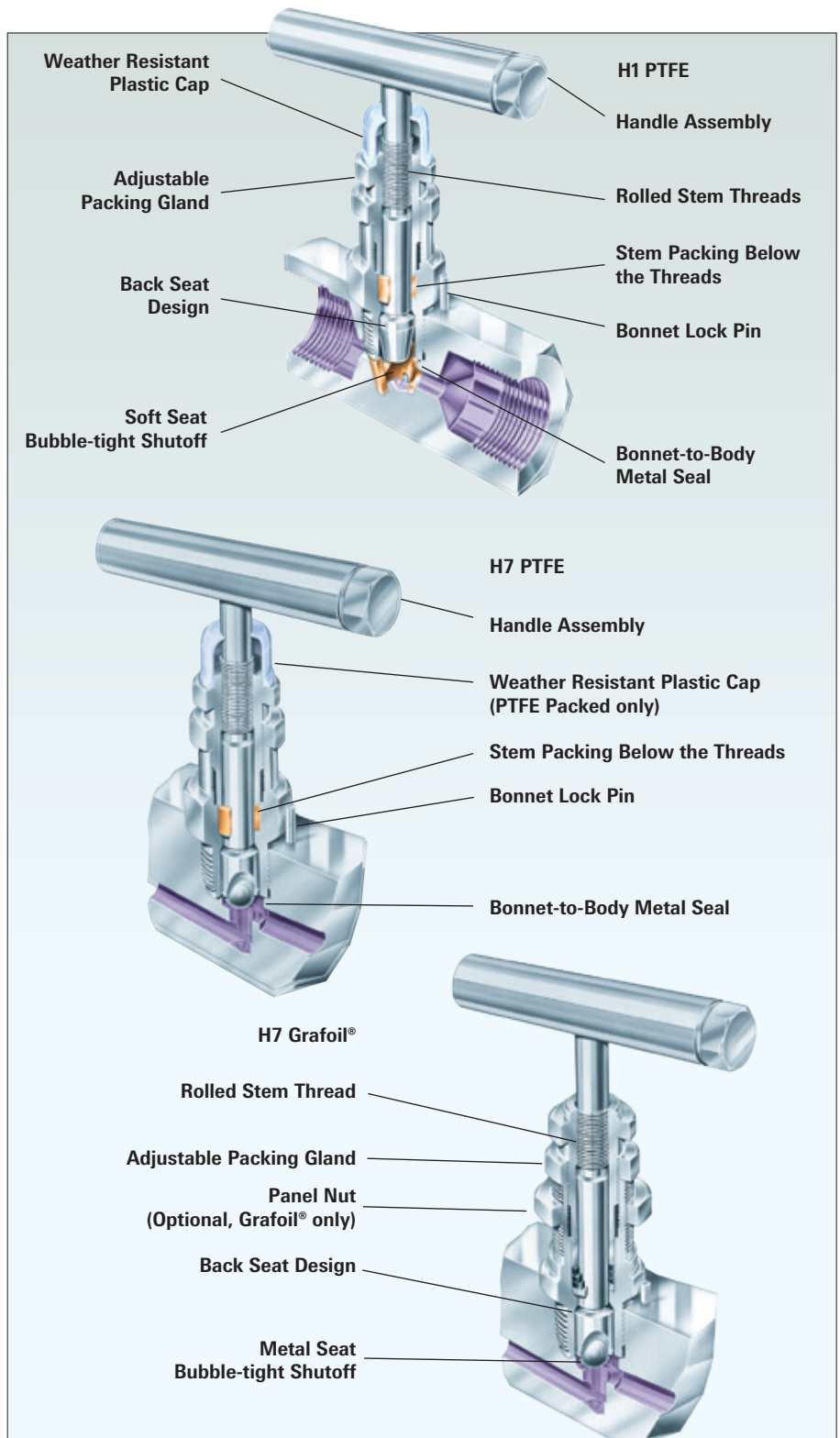
The metal-seated bonnet assembly has a rotating stem with free swivel ball-type seat. The stem threads are rolled and lubricated to prevent galling and reduce operating torque. The stem seal is a patented PTFE packing gland which is adjustable in service. A protective dust cap is fitted to contain stem lubricant and prevent the ingress of contaminants. The specially hardened ball seat is ideal for both gas and liquid service. All bonnets are assembled with a bonnet locking pin to prevent accidental removal while in service.

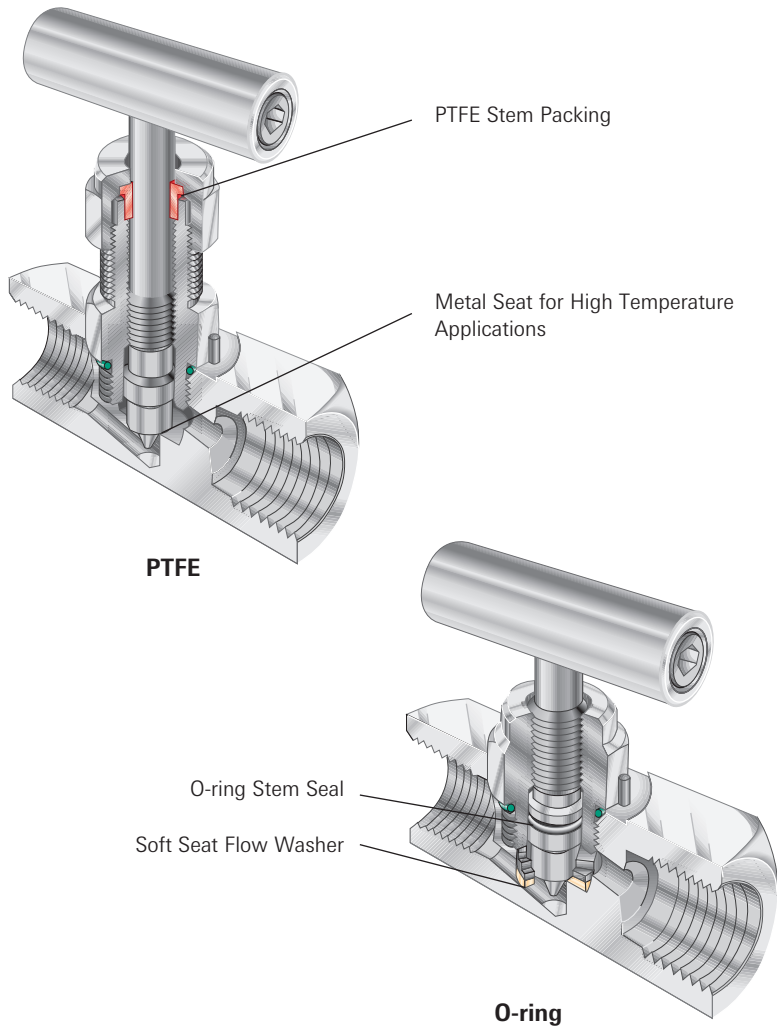
The 10,000 psig [689 barg] bonnet assembly uses a strengthened stem and bonnet. The stem seal is a patented PTFE packing gland which is adjustable in service. A protective dust cap is fitted to contain stem lubricant and prevent the ingress of contaminants. This bonnet is also fitted with a larger size T-bar handle.

The high-temperature bonnet assemblies utilizes a similarly designed stem and bonnet, and incorporates adjustable GRAFOIL® rings and back-up pressure rings to ensure a leak-free stem seal.

**Notes**

1. Viton® is a registered trademark of the E.I. duPont de Nemours Company.
2. Grafoil® is a registered trademark of UCAR Carbon.





**Mini-Valve Bonnet Assembly**

The mini-valve bonnet assembly has a compact design with a one-piece rotating stem which is 'V' tipped for accurate flow control. The stem threads are rolled and lubricated to prevent galling and reduce operating torque.

The SS bonnet is fitted with an adjustable PTFE stem packing and is suitable for panel mounting via external bonnet threads. CS and brass bonnets are fitted with a Viton® O-ring stem seal.

A GRAFOIL® packed bonnet suitable for temperatures of up to 500°F [260°C] is available for SS valves only.