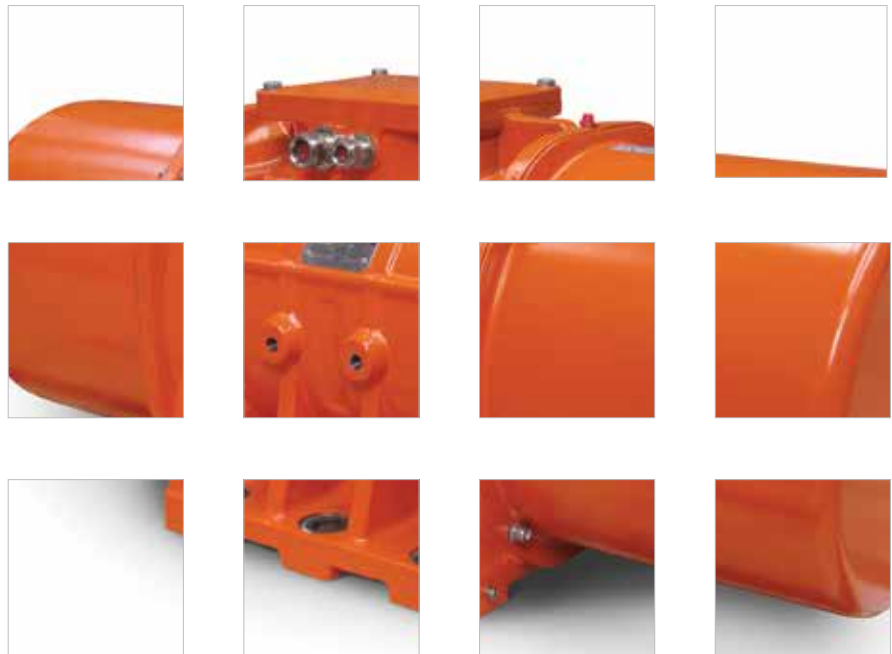
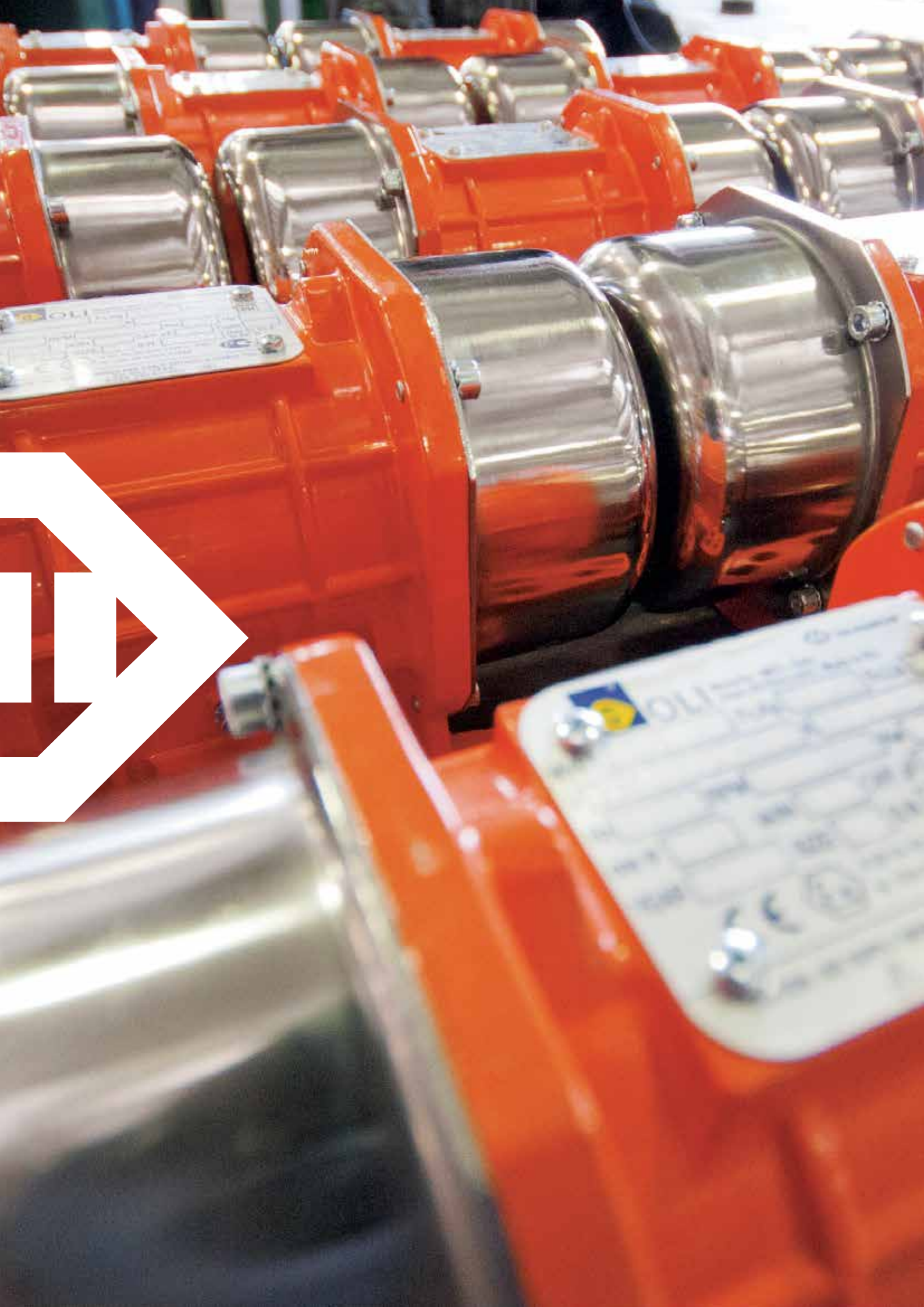


INDUSTRIAL VIBRATORS



THE WORLDWIDE LEADER IN VIBRATION TECHNOLOGY







Intro

Company profile	4
Technical features	6
Standard specifications	7
The OLI vibrator range	8
Certifications	9
How to choose a motovibrator	10

MVE standard range

2 poles	12
4 poles	14
6 poles	16
8 poles	18
2 poles single phase	20
MICRO	22
MVE DC Direct Current	24

MVE-E increased safety

2 poles	26
4 poles	28
6 poles	30
8 poles	32

MVE-D explosion-proof

2 and 4 poles	34
6 and 8 poles	36

MVE hi-stroke milling

8 and 10 poles	38
----------------	----

Installation

Mounting	40
How to change vibration intensity	42





Worldwide leader in vibration technology

OLI is the world's top selling manufacturer of Electric and Pneumatic Vibrators. A high level of customer service is guaranteed through 17 OLI Trading Subsidiaries, 36 local warehouses and 7 manufacturing plants worldwide.

OUR 3 DIVISIONS

PROVIDE CUSTOMERS WITH OPTIMAL SOLUTIONS FOR ALL REQUIREMENTS

INDUSTRIAL VIBRATORS	FLOW AIDS	CONCRETE CONSOLIDATION
 <p>Electric motovibrators for vibrating equipments.</p>	 <p>Comprehensive range of electric and pneumatic vibrators to solve any problem of flowability.</p>	 <p>Internal concrete vibrators and converters for reliable and efficient concrete compaction.</p>



Originally specialising in immersion vibrators for concrete consolidation, OLI is now the worldwide leader in vibration technology, with a **complete range of electric and pneumatic internal and external vibrators.**

By supplying **competitive, high quality products for wide-ranging applications,** OLI combines **performance** and **reliability** by adapting to the ever-changing market. A strong believer in innovation, OLI is constantly striving to be ahead of the opposition.

As a global player in industrial vibration technology, the key focus of OLI's business strategy is **rapid stock delivery, any time, anywhere in the world.**

Excellent customer service is of pivotal importance: the company guarantees **quick order processing** and customers worldwide can enjoy access to the same high quality product and services.

OLI has access to credible expertise when it comes to finding suitable solutions to customers' requests. A team of engineers specialised in designing efficient, reliable and safe solutions backed by a **globally certified management.**

OLI provide their customers with state-of-the-art equipment and the blueprint for the next generation of products is already in progress.



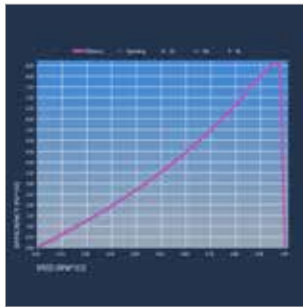
TECHNICAL FEATURES

QUALITY



- World class materials
- Class F insulation
- Durable sealing
- Premium bearings
- Strong body design - FEM designed
- Vacuum insulation
- FMEA analysis
- 3D quality check

EFFICIENCY



- Optimised power/weight ratio
- S1 continuous duty service
- Optimized electric design

RELIABILITY



- PTC thermistor 130°C
- Specific grease retaining device
- Tropicalised standard
- IP66 protection
- Class F insulation

FLEXIBILITY



- Easy mass adjustment
- Various voltages and frequencies available
- Easy access to the terminal box
- Multiple eye-bolts

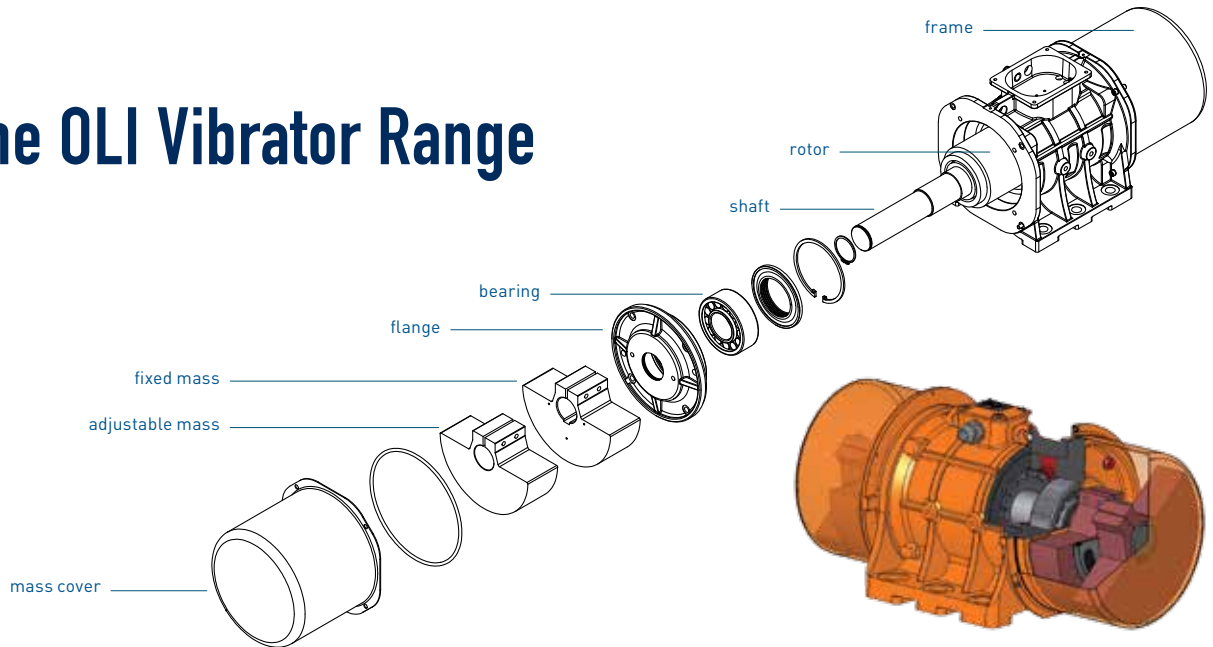


Standard specifications

Specification	Standard	Increased Safety	Explosion-Proof	Hi-stroke Milling
Power supply	Three-phase from 12V to 690V, 50Hz or 60Hz; Single phase 110V 60Hz and 220V 50Hz. Three-phase motors are designed for inverter application from 20Hz to base frequency.	Three-phase from 230V to 460V, 50Hz or 60Hz.	Three-phase from 230V to 690V, 50Hz or 60Hz. All motors are designed for inverter application from 20Hz to base frequency.	
Time rating	Continuous duty (S1).			
Protection structure	Mechanical protection IP66 according to EN 60529.			
Bearings	Ball bearings from size MICRO to 50, roller bearings from size 50 (for some types only) to 110.	Ball bearings from size 10 to 50, roller bearings from size 50 (for some types only) to 90.	Roller bearings.	
Coating colour	Polyester powder coating. Standard colour RAL 2009.			
Installation and operating environment	For indoor and outdoor use.			
	Ambient temperature: -20°C to +40°C. Up to +55°C available on request.	Ambient temperature: -20°C to +40°C.	Ambient temperature: -20°C to +40°C. Up to +55°C available on request.	Ambient temperature: -20°C to +40°C.
Standards supported	Conformity with European Directive Low voltage 2006/95/EC EMC 2004/108/EC Machine directive 2006/42/EC ATEX 94/9/EC			
Mass covers	Aluminium. Steel for motors from size 60 to 90. AISI 304 Stainless Steel for direct current motovibrators.	Aluminium. Steel for motors from size 60 to 90.	AISI 304 Stainless Steel.	Steel.
Windings	2, 4, 6 and 8 poles three-phase asynchronous motor from size 10 to 110; 2 poles single phase from size 10 to 30.	2, 4, 6 and 8 poles three-phase asynchronous motor.		8 and 10 poles three-phase asynchronous motor.
	Class F insulating materials (155°C). Vacuum impregnated windings; PTC thermistor 130°C standard from size 60.			
Flanges	Grey cast iron up to size 90, ductile cast iron from size 100.			
Frame	Aluminium up to size 50, ductile cast iron from size 60.			
Shaft	Steel alloy highly stress resistant.			
Eccentric masses	Completely adjustable.			



The OLI Vibrator Range



Providing centrifugal force up to 26,000 kgs and with multiple voltage options OLI's range of electric motovibrators covers several fields of application in every country as well as many different industrial sectors: from food to mining, from foundry to recycling and more.

OLI's electric motovibrators are designed and manufactured using the latest technologies and premium quality materials and components.

Motor bodies, bearing flanges and shafts are FMEA designed and manufactured using first grade Aluminium alloy, cast iron and steel alloy to withstand heavy duty applications and

guarantee safe operation in any condition.

Vacuum impregnated windings and class F insulating materials enhance reliability and durability.

Top quality bearings and an efficient grease retaining system assure long lasting performance and low noise generation.



















Adjustable eccentric masses allow easy fine tuning of the Max centrifugal force provided by the motor.

Several certifications for use in hazardous environments are available in the OLI range to match the most demanding specification worldwide.

Model			Poles	Vibrating Force (kg)	Voltage Class (V)	Speed at 50Hz/ 60Hz (rpm)	Input Power (kW)
Standard	2-8 poles	MVE	2	66 - 9,375	Three-phase from 220V to 690V, 50Hz or 60Hz.	3,000/3,600	0.04 - 17
			4	25 - 15,153		1,500/1800	
			6	53 - 25,532		1,000/1,200	
			8	105 - 26,489		750/900	
	Micro	MICRO	2	4 - 65	Three-phase from 230V to 460V, 50Hz or 60Hz. Single-phase 115V 60Hz and 230V 50Hz.	3,000/3,600	0.03 - 0.07
Single-phase	MVE-M	2	66 - 320	115V 60Hz and 230V 50Hz.	3,000/3,600	0.08 - 0.28	
Direct Current	MVE-DC	-	50 - 200	12V and 24V.	3,000	0.08 - 0.16	
Increased Safety	2-8 poles	MVE-E	2	187 - 4,052	Three-phase from 220V to 690V, 50Hz or 60Hz.	3,000/3,600	0.12 - 13
			4	194 - 15,153		1,500/1,800	
			6	51 - 13,009		1,000/1,200	
			8	105 - 9,952		750/900	
Explosion-proof	2-8 poles	MVE-D	2	794 - 4,052	Three-phase from 220V to 690V, 50Hz or 60Hz.	3,000/3,600	0.35 - 3.9
			4	714 - 5,495		1,500/1,800	
			6	513 - 4,697		1,000/1,200	
			8	179 - 3,792		750/900	
Hi-stroke Milling	8-10 poles	MVE-MILLING	8	1203 - 1,480		750/900	0.65 - 0.78
			10	770 - 1,364		600/720	



Certifications

Range	Certifications	Category	Type of protection	Temperature rating	Directive
Standard Range	 	Ex II3D Class II Div.2 Groups F, G NEMA4	Enclosure Ex tD A22 Tx IP66	Micro and up to size 50 = T100°C From size 60 up = T135°C	Conformity with European Directive Low voltage 2006/95/EC EMC 2004/108/EC Machine Directive 2006/42/EC ATEX 94/9/EC
Standard Range  (zone 21)	 	Ex II2D Class II Div.2 Groups F, G NEMA4	Enclosure Ex tb A21 IIIC Tx Db IP66	Micro and up to size 50 = T100°C From size 60 up = T110°C	UL 1836, UL 1004-1 CSAC22,2 NO 25, 100, 145
Increased Safety	   	Ex II2GD	Increased safety Ex e II T3 Ex tD A21 T150°C IP66	T3 T150°C	Conformity with European Directive Low voltage 2006/95/EC EMC 2004/108/EC Machine Directive 2006/42/EC ATEX 94/9/EC
Explosion-proof	  	Ex II2GD Class I Div.1 Groups C, D Class II Div.1 Groups E, F, G IP66	Flame-proof Ex d IIB T4 Ex tD A21 IP66 T135°C Ex db IIB T4, Ex tb IIIC T135°C	T4 T135°C	Conformity with European Directive Low voltage 2006/95/EC EMC 2004/108/EC Machine Directive 2006/42/EC ATEX 94/9/EC
Explosion-proof D5	  	Ex II2G Class I Div.1 Groups C, D IP66	Flame-proof Ex d IIB T3 IP66 Ex db IIB T4	T3	UL 1836, UL 1004-1, UL 674 CSAC22,2 NO 25, 100, 145
Hi-stroke Milling	  	Ex II3D	Enclosure Ex tD A22 Tx IP66	T135°C	Conformity with European Directive Low voltage 2006/95/EC EMC 2004/108/EC Machine Directive 2006/42/EC ATEX 94/9/EC

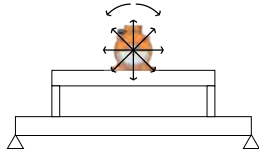


How to choose a motovibrator

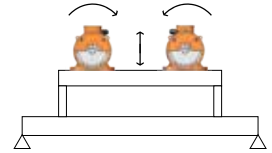
1.

Choose rpm and the amplitude "e" (0 - peak) suitable for your application:

Circular vibration



Linear vibration



Application processes	Vibration		Revolutions Per Minute						
			50Hz	750	1000	1500	3000	6000	
	Circular	Linear	60Hz	900	1200	1800	3600	-	
Conveying		✓			✓	✓			
Separation / Screening / Sizing		✓		✓	✓	✓			
Positioning / Feeding		✓		✓	✓	✓			
Filter cleaning	✓						✓		
Silo/hopper emptying	✓						✓		
Fluid beds		✓		✓	✓				
Bin activators	✓					✓	✓		
Compacting		✓					✓	✓	
Concrete consolidation	✓						✓	✓	

rpm	e (mm)	
	Min.	Max.
3600	0.3	1.6
3000	0.3	1.6
1800	0.8	3.4
1500	1.2	3.8
1200	1.6	4.2
1000	2.4	7.6
900	2.9	8.1
750	2.4	7.8

2.

Choose an MVE from the tables of the following pages and use its W_m into this formula:

$$e = 5 \cdot \frac{n \cdot W_m}{n \cdot M_{mot} + M_{vm}}$$

e = amplitude of vibration 0-peak (mm)

n = number of vibrating motors

W_m = working moment (kgcm)

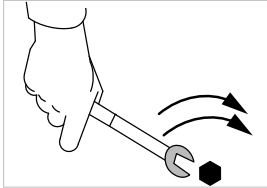
M_{mot} = motor weight (kg)

M_{vm} = vibrating machine weight (without material and motors)

3.

Check the obtained value “e”:

- If it is similar to the required one (step 1) → the MVE model is correct.
- If it is not similar to the required one (step 1) → repeat the process (step 2) with a different MVE model.



For tips on installation see appendix.



Important

Several voltages are available to match local electric specifications worldwide both at 50Hz and 60Hz.

All OLI motors can be operated with double voltage by simply changing the connections inside the terminal box from Star to Delta or vice-versa.

Three-phase MVEs with double rated voltage:

Δ (Delta) High Voltage - Factory preset

Δ (Star) Low Voltage

MVEs with “(Delta)”:

Δ (Star) Low Voltage - Factory preset

Δ (Delta) High Voltage

For details about “Star” and “Delta” connections see page 41.

VOLTAGE Delta / Star	Frequency (Hz)	Standard
200-230 / 345-400	50 / 60	✓
220 (Single-phase)	60	
220-240 / 380-415	50	✓
230 / 460 *	60	✓
230 (Single-phase)	50	
330 / 575 *	60	✓
220-277 / 380-480	60	✓
500-525 (Delta)	50	✓
290-300 / 500-525	50	✓
380-480 (Delta)	60	✓
575 (Delta) *	60	✓
380-415 (Delta)	50	✓
460 (Delta) *	60	✓
115 (Three-phase)	50 / 60	
115 (Single-phase)	60	✓
115 (Single-phase)	50	✓
48 / 80	50 / 60	

* Voltage Tolerance: ± 10%



- » I13 D Ex tD A22 Tx IP66
- » TÜV NORD Statement Conformity Number TÜV 05 ATEX 2768X
- » Equipment and protective system intended for use in potentially explosive atmospheres [Zone 22] - Directive 94/9/EC
- » Compliance with Essential Health and Safety Requirements
- » IEC 60079-10-2



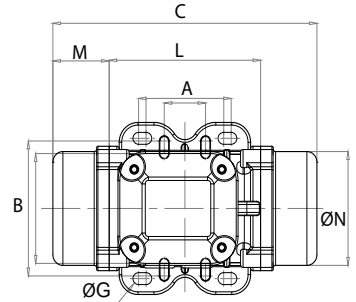
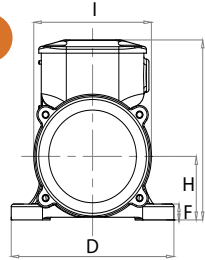
MVE STANDARD RANGE



2 POLES - 3000/3600 rpm



A



Wm (kgcm)		Model		Centrifugal Force (kg)		Weight (kg)		ELECTRICAL SPECIFICATIONS						CERTIFICATE		
50Hz	60Hz	50Hz	60Hz	50Hz	60Hz	50Hz	60Hz	Input Power (kW)		Nominal Current A max. (Y)		Ia / In		Cable Gland	Class II Div.2	Ex I13D
50Hz	60Hz	50Hz	60Hz	50Hz	60Hz	50Hz	60Hz	50Hz	60Hz	50Hz (400V)	60Hz (460V)	50Hz	60Hz	Metric	Temp. Class	Temp. Class
1.31	0.98	MVE 60/3	MVE 60/36	66	71	4.2		0.08	0.09	0.16	0.18	3.00	3.00	M16	T4	100°C
1.96	1.31	MVE 100/3	MVE 100/36	98	95	4.6		0.10	0.11	0.19	0.18	3.00	3.00	M16	T4	100°C
3.72	2.61	MVE 200/3	MVE 200/36	187	189	7.0		0.18	0.21	0.35	0.35	3.30	3.30	M20	T4	100°C
3.72	2.61	MVE 202/3	MVE 202/36	187	189	7.2		0.18	0.21	0.35	0.35	3.30	3.30	M20	T4	100°C
6.39	4.46	MVE 300/3	MVE 300/36	321	323	9.8		0.27	0.28	0.52	0.45	3.60	3.50	M20	T4	100°C
7.96	5.68	MVE 400/3	MVE 400/36	407	411	10.3		0.30	0.36	0.58	0.60	3.50	3.50	M20	T4	100°C
10.27	7.38	MVE 500/3	MVE 500/36	530	534	15.8		0.50	0.58	0.96	0.97	4.00	4.20	M20	T4	100°C
14.90	10.57	MVE 700/3	MVE 700/36	758	765	16.5		0.66	0.75	1.25	1.24	4.30	5.00	M20	T4	100°C
15.68	11.06	MVE 800/3	MVE 800/36	794	800	20.6		0.75	0.90	1.45	1.50	3.80	3.80	M20	T4	100°C
22.41	15.68	MVE 1200/3	MVE 1200/36	1005	1013	21.6		0.95	1.15	1.85	1.95	4.40	4.50	M20	T4	100°C
20.26	14.00	MVE 1300/3	MVE 1300/36	1355	1365	22.0		1.30	1.38	2.44	2.25	5.20	5.00	M20	T4	100°C
26.58	18.60	MVE 1301/3	MVE 1301/36	1355	1365	34		1.30	1.38	2.44	2.25	5.20	5.00	M20	T4	100°C
26.58	18.60	MVE 1310/3	MVE 1310/36	1123	1616	34		1.30	1.38	2.44	2.25	5.20	5.00	M20	T4	100°C
31.26	22.22	MVE 1600/3	MVE 1600/36	1601	1608	51.6	51.2	1.57	1.60	2.94	2.61	5.90	6.20	M25	T4	135°C
36.78	27.60	MVE 2000/3	MVE 2000/36	2027	1997	52.8	52.0	2.00	2.10	3.75	3.42	6.50	6.40	M25	T4	135°C
45.97	31.87	MVE 2300/3	MVE 2300/36	2302	2306	53.6	51.6	2.40	2.45	4.44	3.94	6.00	6.30	M25	T4	135°C
68.10	43.89	MVE 3200/3	MVE 3200/36	3252	3176	103.0	101.4	2.90	2.90	5.30	4.61	8.30	8.20	M32	T4	135°C
79.40	55.99	MVE 4000/3	MVE 4000/36	4033	4052	107.0	103.8	2.90	2.90	5.30	4.61	8.50	9.70	M32	T4	135°C
103.24	69.76	MVE 5000/3	MVE 5000/36	5009	5048	111.2	105.8	4.00	4.00	7.22	6.28	8.50	9.80	M32	T4	135°C
										A max. (Δ)						
129.55	90.54	MVE 6500/3	MVE 6500/36	6510	6552	228.4	229.6	5.50	5.50	9.5	8	8.50	8.80	M32	T4	135°C
179.59	129.55	MVE 9000/3	MVE 9000/36	9025	9375	240.3	234.7	10.00	9.30	14.00	18.00	8.40	8.60	M32	T4	135°C



UP TO SIZE 60 (NOT INCLUDED)
60Hz masses = 50Hz masses adjusted at 70%



ABOVE SIZE 60 (INCLUDED)
Specific masses for 60Hz

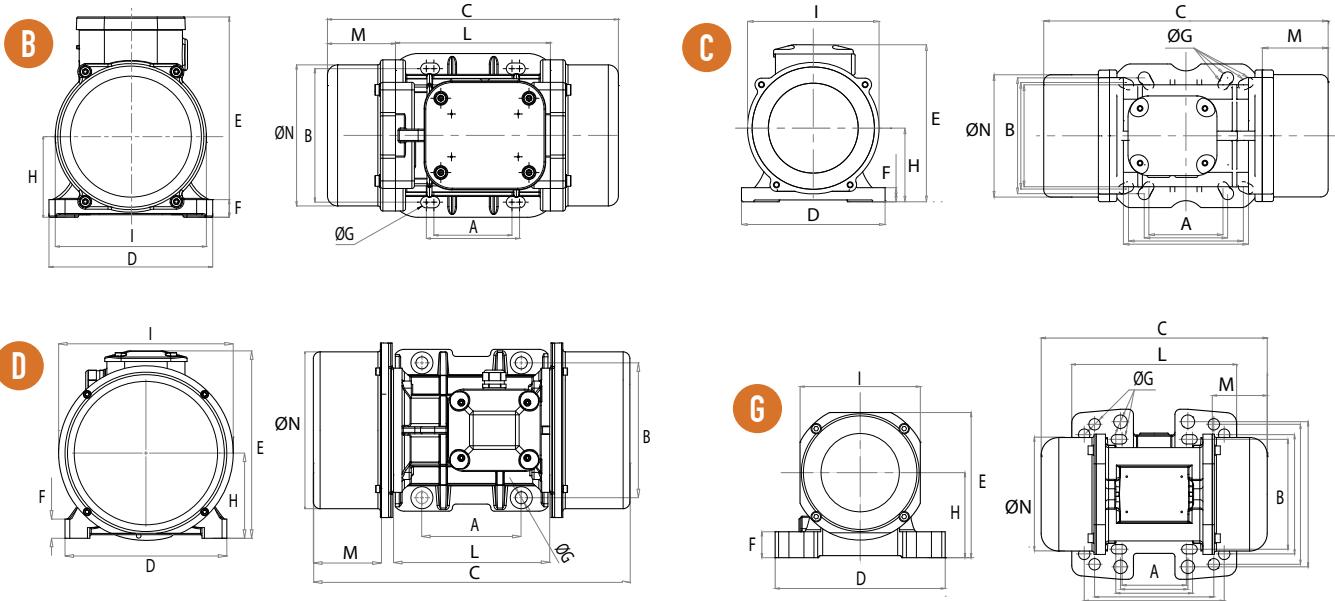
To convert kg into Newton: $N = 9.81 \cdot kg$



» Declaration of conformity "type B" according to:
2006/95/EC - 2004/108/EC - 2006/42/EC - EN 60034-1



» Class II Div.2 Group F, G - T4 - NEMA 4
» Conform to UL 1836, UL1004-1 Cert. CSA C22.2 N. 25, 100, 145
» Intertek ETL - SEMCO File Number 3177001



DIMENSIONAL SPECIFICATIONS (mm)

Model		Drawing	Size	C		M		A	B	ØG	Holes	D	E	F	H	I	L	N	
				50Hz	60Hz	50Hz	60Hz												N°
MVE 60/3	MVE 60/36	A	10	211	45	Multiple Footprint			4	130	136	12	48	94	121	85	85		
MVE 100/3	MVE 100/36	A	10	211	45	62-74	106	9										33	83-102
MVE 200/3	MVE 200/36	B	20	231	54	62-74	106	9	4	131	159	15	64	121	123	112			
MVE 202/3	MVE 202/36	G	23	218	53	Multiple Footprint			4	164	140	25	82	116	159	110			
MVE 300/3	MVE 300/36	C	30	253	45	62-74	106	9									65	140	13
MVE 400/3	MVE 400/36	C	30	273	55	90	125	13									115	135	11
MVE 500/3	MVE 500/36	D	40	334	78	105	140	13									135	115	11
MVE 700/3	MVE 700/36	D	40	334	78	105	140	13	4	168	196	22	92	169	178	158			
MVE 800/3	MVE 800/36	D	50	321	58	120	170	17	4	208	210	22	94	180	205	170			
MVE 1200/3	MVE 1200/36	D	50	321	58	120	170	17	4	208	210	22	94	180	205	170			
MVE 1300/3	MVE 1300/36	D	50	321	58	120	170	17	4	208	210	22	94	180	205	170			
MVE 1301/3	MVE 1301/36	D	53	321	58	100	180	17	4	236	210	26	98	180	205	170			
MVE 1310/3	MVE 1310/36	D	55	321	58	100	200	17	4	236	210	26	98	180	205	170			
MVE 1600/3	MVE 1600/36	D	60	418	83	140	190	17	4	229	262	30	120	247	220	222			
MVE 2000/3	MVE 2000/36	D	60	418	83	140	190	17	4	229	262	30	120	247	220	222			
MVE 2300/3	MVE 2300/36	D	60	418	83	140	190	17	4	229	262	30	120	247	220	222			
MVE 3200/3	MVE 3200/36	D	75	538	115	155	255	25	4	302	318	35	147	295	273	264			
MVE 4000/3	MVE 4000/36	D	75	538	115	155	255	25	4	302	318	35	147	295	273	264			
MVE 5000/3	MVE 5000/36	D	75	588	538	140	115	155	255	25	4	302	318	35	147	295	273	264	
MVE 6500/3	MVE 6500/36	D	85	605	120	200	320	28	4	378	411	49	199	424	325	378			
MVE 9000/3	MVE 9000/36	D	85	605	120	200	320	28	4	378	411	49	199	424	325	378			

NOTE: Dimensions with coarse degree of accuracy related to UNI 22768/1

This information is provided without warranty, representation, inducement or licence of any kind. It is accurate to the best OLI knowledge or is obtained from sources believed to be accurate. OLI therefore assumes no legal responsibility.

STANDARD

EXPLOSION-PROOF INCREASED SAFETY

HI-STROKE MILLING



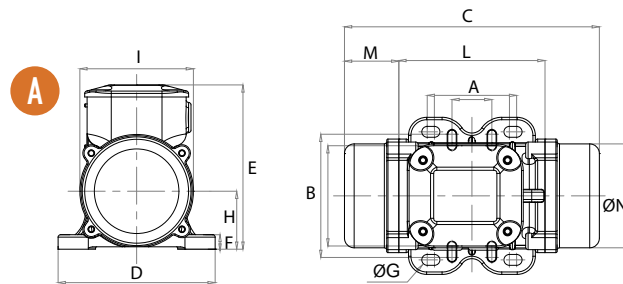
- » I13 D Ex tD A22 Tx IP66
- » TÜV NORD Statement Conformity Number TÜV 05 ATEX 2768X
- » Equipment and protective system intended for use in potentially explosive atmospheres [Zone 22] - Directive 94/9/EC
- » Compliance with Essential Health and Safety Requirements
- » IEC 60079-10-2



MVE STANDARD RANGE



4 POLES - 1500/1800 rpm



Wm (kgcm)		Model		Centrifugal Force (kg)		Weight (kg)		ELECTRICAL SPECIFICATIONS						CERTIFICATE		
50Hz	60Hz	50Hz	60Hz	50Hz	60Hz	50Hz	60Hz	Input Power (kW)		Nominal Current A max. (Y)		Ia / In		Cable Gland	Class II Div.2	I13D
50Hz	60Hz	50Hz	60Hz	50Hz	60Hz	50Hz	60Hz	50Hz	60Hz	50Hz (400V)	60Hz (460V)	50Hz	60Hz	Metric	Temp. Class	Temp. Class
1.97	1.97	MVE 40/15	MVE 40/18	25	36	4.6		0.04	0.05	0.31	0.31	2.00	2.00	M16	T4	100°C
5.97	4.2	MVE 90/15	MVE 90/18	75	76	7.4		0.12	0.13	0.30	0.30	3.50	3.80	M20	T4	100°C
15.44	10.83	MVE 200/15	MVE 200/18	194	196	11.8		0.16	0.17	0.49	0.50	2.00	2.00	M20	T4	100°C
33.43	23.38	MVE 400/15	MVE 400/18	420	423	19.5		0.30	0.35	0.84	0.86	2.50	2.50	M20	T4	100°C
40.12	28.08	MVE 500/15	MVE 500/18	504	508	21.0		0.35	0.40	1.06	1.09	2.80	2.70	M20	T4	100°C
26.58	18.60	MVE 300/15	MVE 300/18	334	336	22.5		0.62	0.73	1.32	1.41	3.00	3.20	M20	T4	100°C
56.83	39.36	MVE 700/15	MVE 700/18	714	712	27.4		0.62	0.73	1.32	1.41	3.00	3.20	M20	T4	100°C
88.67	62.02	MVE 1100/15	MVE 1100/18	1114	1122	35.8	28	0.65	0.78	1.50	1.70	3.80	3.80	M20	T4	100°C
108.57	76.72	MVE 1400/15	MVE 1400/18	1364	1388	59.8	58.2	0.90	1.10	1.71	1.78	4.00	4.00	M25	T4	135°C
137.31	91.98	MVE 1700/15	MVE 1700/18	1725	1664	61.8	59.4	1.15	1.30	2.16	2.09	4.70	4.50	M25	T4	135°C
187.69	137.36	MVE 2400/15	MVE 2400/18	2358	2485	68.0	62.0	1.60	1.90	3.00	3.20	4.90	4.90	M25	T4	135°C
203.53	135.65	MVE 2500/15	MVE 2500/18	2557	2454	90.0	84.0	1.80	2.00	3.40	3.40	6.00	6.10	M25	T4	135°C
248.66	169.75	MVE 3000/15	MVE 3000/18	3124	3071	97.5	87.0	1.90	2.30	3.70	3.80	6.50	6.60	M25	T4	135°C
306.69	204.74	MVE 3800/15	MVE 3800/18	3853	3704	130.4	118.4	2.20	2.60	4.12	4.15	6.80	6.80	M32	T4	135°C
343.22	240.95	MVE 4300/15	MVE 4300/18	4312	4359	134.4	123.6	2.50	3.00	5.70	5.80	7.00	7.20	M32	T4	135°C
437.39	303.74	MVE 5500/15	MVE 5500/18	5495	5495	192.2	190.0	3.60	3.45	6.50	6.60	7.10	7.00	M32	T4	135°C
								A max. (Δ)								
576.76	397.32	MVE 7200/15	MVE 7200/18	7246	7188	253.0	246.6	5.00	6.00	9.60	9.41	6.80	6.90	M32	T4	135°C
717.97	498.76	MVE 9000/15	MVE 9000/18	9020	9023	268.6	257.8	7.50	8.50	12.00	12.00	7.00	7.00	M32	T4	135°C
800.11	588.30	MVE 10000/15	MVE 10000/18	10052	10643	311.8	297.4	7.80	9.40	13.00	13.00	6.50	6.40	M32	T4	135°C
939.2	655.4	MVE 11500/15	MVE 11500/18	11779	11853	445	422	9	10.5	15.50	15.50	7	7	M32	-	135°C
1142.4	837.6	MVE 14500/15	MVE 14500/18	14352	15153	460	442	11.5	13	18.5	18.5	8	8	M32	-	135°C



UP TO SIZE 60 (NOT INCLUDED)
60Hz masses = 50Hz masses adjusted at 70%
Except for model MVE 1100/15 - 1100/18



ABOVE SIZE 60 (INCLUDED)
Specific masses for 60Hz

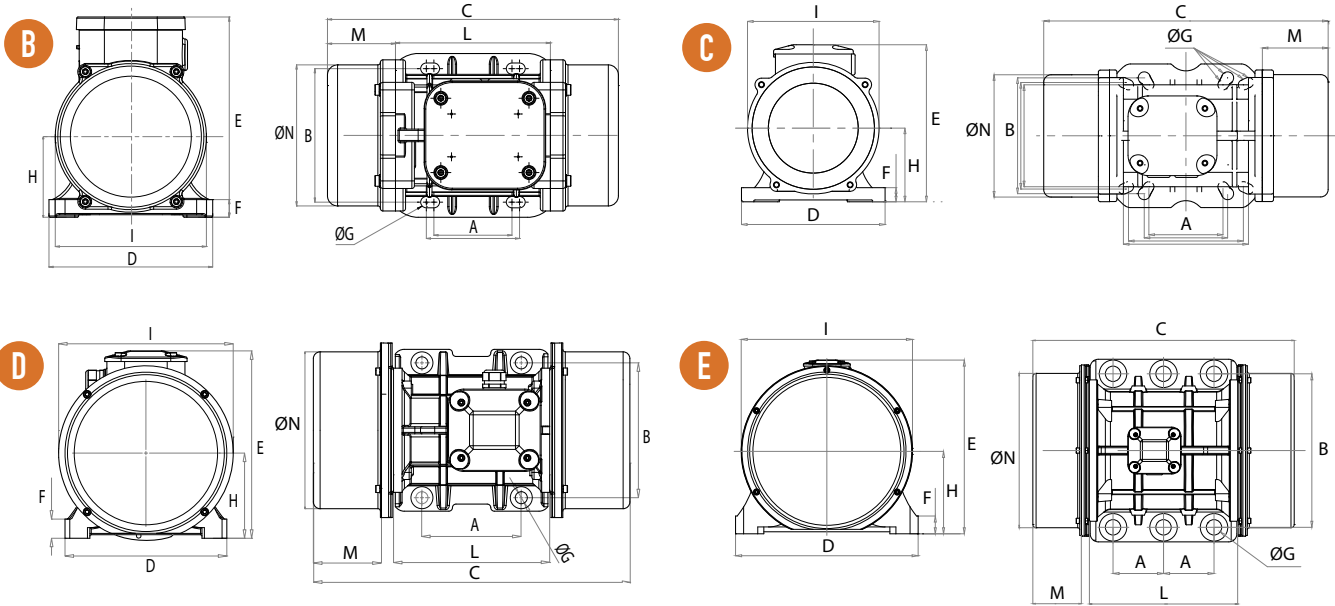
To convert kg into Newton: $N = 9.81 \cdot kg$



» Declaration of conformity "type B" according to:
2006/95/EC - 2004/108/EC - 2006/42/EC - EN 60034-1



» Class II Div.2 Group F, G - T4 - NEMA 4
» Conform to UL 1836, UL1004-1 Cert. CSA C22.2 N. 25, 100, 145
» Intertek ETL - SEMCO File Number 3177001



DIMENSIONAL SPECIFICATIONS (mm)

Model		Drawing	Size	C		M		A	B	ØG	Holes	D	E	F	H	I	L	N
				50Hz	60Hz	50Hz	60Hz			N°								
MVE 40/15	MVE 40/18	A	10	211	45	Multiple Footprint			4	130	136	12	48	94	121	85		
						62-74	106	9										
						33	83-102	7										
MVE 90/15	MVE 90/18	B	20	231	54	62-74	106	9	4	131	159	15	64	121	123	112		
MVE 200/15	MVE 200/18	C	30	273	55	Multiple Footprint			4	154	175	15	79	142	163	131		
						80	110	11										
						90	125	13										
						124	110	11										
						135	115	11										
MVE 400/15	MVE 400/18	D	40	334	78	105	140	13	4	168	196	22	92	169	178	158		
MVE 500/15	MVE 500/18	D	40	334	78	105	140	13	4	168	196	22	92	169	178	158		
MVE 300/15	MVE 300/18	D	50	321	58	120	170	17	4	208	210	22	94	180	205	170		
MVE 700/15	MVE 700/18	D	50	391	93	120	170	17	4	208	210	22	94	180	205	170		
MVE 1100/15	MVE 1100/18	D	50	451	391	123	93	120	170	17	4	208	210	22	94	180	205	170
MVE 1400/15	MVE 1400/18	D	60	446	96	140	190	17	4	229	262	30	120	247	220	222		
MVE 1700/15	MVE 1700/18	D	60	446	96	140	190	17	4	229	262	30	120	247	220	222		
MVE 2400/15	MVE 2400/18	D	60	510	446	129	96	140	190	17	4	229	262	30	120	247	220	222
MVE 2500/15	MVE 2500/18	D	70	522	486	123	105	155	225	22	4	272	295	40	140	267	250	235
MVE 3000/15	MVE 3000/18	D	70	556	486	123	105	155	225	22	4	272	295	40	140	267	250	235
MVE 3800/15	MVE 3800/18	D	75	588	538	140	115	155	255	23.5	4	302	318	35	147	295	273	264
MVE 4300/15	MVE 4300/18	D	75	588	140	155	255	23.5	4	302	318	35	147	295	273	264		
MVE 5500/15	MVE 5500/18	D	80	603	130	180	280	26	4	332	360	37	167	345	304	310		
MVE 7200/15	MVE 7200/18	D	85	608	120	200	320	28	4	378	411	49	200	424	325	378		
MVE 9000/15	MVE 9000/18	D	85	608	120	200	320	28	4	378	411	49	200	424	325	378		
MVE 10000/15	MVE 10000/18	E	90	726	646	160	120	125	380	39	6	452	430	44	204	422	367	378
MVE 11500/15	MVE 11500/18	E	100	890	210	140	440	45	6	530	484	37	232	446	470	424		
MVE 14500/15	MVE 14500/18	E	100	890	210	140	440	45	6	530	484	37	232	446	470	424		

NOTE: Dimensions with coarse degree of accuracy related to UNI 22768/1

This information is provided without warranty, representation, inducement or licence of any kind. It is accurate to the best OLI knowledge or is obtained from sources believed to be accurate. OLI therefore assumes no legal responsibility.

STANDARD

EXPLOSION-PROOF INCREASED SAFETY

HI-STROKE MILLING



- » I13 D Ex tD A22 Tx IP66
- » TÜV NORD Statement Conformity Number TÜV 05 ATEX 2768X
- » Equipment and protective system intended for use in potentially explosive atmospheres [Zone 22] - Directive 94/9/EC
- » Compliance with Essential Health and Safety Requirements
- » IEC 60079-10-2



MVE STANDARD RANGE



6 POLES - 1000/1200 rpm



Wm (kgcm)		Model		Centrifugal Force (kg)		Weight (kg)		ELECTRICAL SPECIFICATIONS							CERTIFICATE	
								Input Power (kW)		Nominal Current A max. (Y)		Ia / In		Cable Gland	Class II Div.2	Ex I13D
50Hz	60Hz	50Hz	60Hz	50Hz	60Hz	50Hz	60Hz	50Hz	60Hz	50Hz (400V)	60Hz (460V)	50Hz	60Hz	Metric	Temp. Class	Temp. Class
9.49	6.59	MVE 50/1	MVE 50/12	53	53	10.4		0.12	0.14	0.40	0.50	2.00	2.00	M20	T4	100°C
18.80	13.18	MVE 100/1	MVE 100/12	105	106	12.2		0.12	0.14	0.40	0.50	2.00	2.00	M20	T4	100°C
33.49	23.38	MVE 200/1	MVE 200/12	187	188	19.6		0.18	0.21	0.53	0.51	2.00	2.00	M20	T4	100°C
56.93	39.85	MVE 300/1	MVE 300/12	318	320	26.6		0.35	0.38	0.67	0.64	2.50	2.50	M20	T4	100°C
91.88	64.32	MVE 500/1	MVE 500/12	513	517	34.0		0.35	0.40	1.20	1.15	2.80	2.70	M20	T4	100°C
91.88	91.88	MVE 510/1	MVE 510/12	513	739	34.5		0.35	0.40	1.20	1.15	2.80	2.70	M20	T4	100°C
137.37	108.58	MVE 800/1	MVE 800/12	767	873	61.8	59.4	0.68	0.76	1.29	1.26	2.80	2.80	M25	T4	135°C
187.69	137.31	MVE 1100/1	MVE 1100/12	1048	1104	79.4	73.0	0.75	0.80	1.42	1.32	3.20	3.10	M25	T4	135°C
284.76	196.51	MVE 1500/1	MVE 1500/12	1590	1580	83.6	76.5	1.10	1.30	2.10	2.00	3.30	3.30	M25	T4	135°C
299.63	203.47	MVE 1600/1	MVE 1600/12	1673	1636	99.8	89.0	1.10	1.30	2.83	3.22	3.70	3.60	M25	T4	135°C
373.05	248.74	MVE 2100/1	MVE 2100/12	2083	2000	114.3	100.5	1.50	1.80	3.00	3.00	4.30	4.40	M25	T4	135°C
467.44	306.70	MVE 2600/1	MVE 2600/12	2610	2466	148.6	131.5	1.96	2.10	3.63	3.38	4.80	4.80	M32	T4	135°C
540.33	379.71	MVE 3000/1	MVE 3000/12	3017	3053	155.4	137.8	2.20	2.40	4.50	4.30	5.00	5.00	M32	T4	135°C
939.60	657.90	MVE 5210/1	MVE 5210/12	5237	5290	225	191	3.80	4	6.92	6.36	5.50	5.50	M25	T4	135°C
680.38	437.41	MVE 3800/1	MVE 3800/12	3799	3517	215.6	194.8	2.50	3.00	4.67	4.88	5.90	6.00	M32	T4	135°C
838.34	584.17	MVE 4700/1	MVE 4700/12	4681	4697	230.8	212.4	3.20	3.90	6.50	6.00	5.50	5.70	M32	T4	135°C
929.86	654.57	MVE 5200/1	MVE 5200/12	5192	5263	279.8	264.2	3.80	4.00	6.92	6.36	5.50	5.50	M32	T4	135°C
1165.19	823.96	MVE 6500/1	MVE 6500/12	6506	6625	304.4	280.7	4.30	5.00	7.76	7.81	6.20	6.00	M32	T4	135°C
								A max. (Δ)								
1435.98	929.80	MVE 8000/1	MVE 8000/12	8018	7476	325.2	290	7.10	7.50	12.60	11.60	6.00	6.20	M32	T4	135°C
1600.39	1165.23	MVE 9000/1	MVE 9000/12	8936	9369	337.8	307.6	7.50	8.30	13.20	12.60	6.30	6.20	M32	T4	135°C
1788.44	1239.98	MVE 10000/1	MVE 10000/12	9986	9970	385.8	359.3	7.60	8.00	13.50	12.70	6.40	6.40	M32	T4	135°C
2329.84	1647.42	MVE 13000/1	MVE 13000/12	13009	13246	422.2	375.6	10.00	10.00	17.00	16.00	6.20	6.3	M32	T4	135°C
2253	1550	MVE 12000/1	MVE 12000/12	12580	12466	522	476	7.99	9.50	15.00	15.00	5	5.5	M32	-	135°C
2634	1856	MVE 15000/1	MVE 15000/12	14706	14923	672	630	10.09	12.00	18.00	18.00	5.8	5.8	M32	-	135°C
3220	2147	MVE 17500/1	MVE 17500/12	17980	17264	744	684	11.92	14.20	21.00	21.00	5.6	5.9	M32	-	135°C
3632	2525	MVE 19500/1	MVE 19500/12	20285	20299	768	728	11.96	14.50	24.00	24.00	5.4	5.6	M32	-	135°C
4067	2622	MVE 22000/1	MVE 22000/12	22711	21079	916	868	13.95	17.00	28.00	28.00	4.8	5.3	M32	-	135°C
4572	3163	MVE 25000/1	MVE 25000/12	25532	25432	994	937	13.95	17.00	28.00	28.00	4.8	5.3	M32	-	135°C



UP TO SIZE 60 (NOT INCLUDED)
60Hz masses = 50Hz masses adjusted at 70%



ABOVE SIZE 60 (INCLUDED)
Specific masses for 60Hz

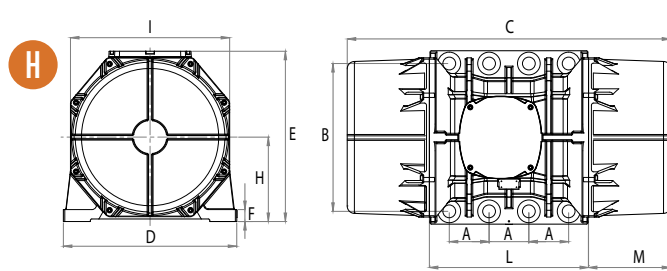
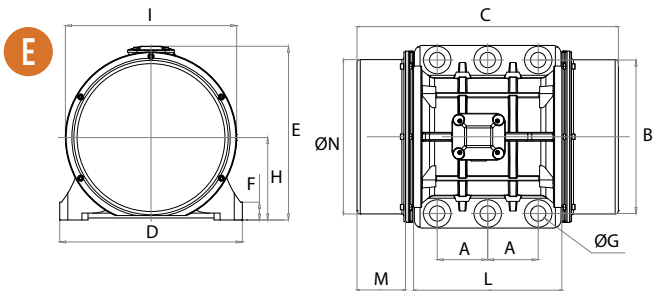
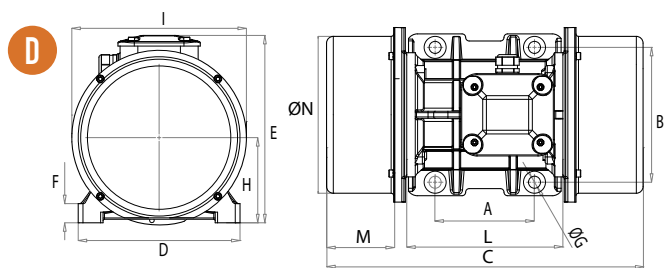
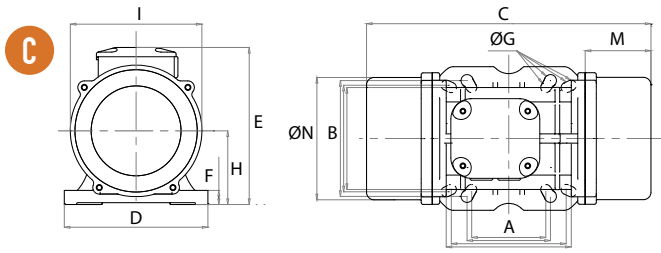
To convert kg into Newton: $N = 9.81 \cdot kg$



» Declaration of conformity "type B" according to:
2006/95/EC - 2004/108/EC - 2006/42/EC - EN 60034-1



» Class II Div.2 Group F, G - T4 - NEMA 4
» Conform to UL 1836, UL1004-1 Cert. CSA C22.2 N. 25, 100, 145
» Intertek ETL - SEMCO File Number 3177001



DIMENSIONAL SPECIFICATIONS (mm)

Model		Drawing	Size	C		M		A	B	ØG	Holes	D	E	F	H	I	L	N
50Hz	60Hz			50Hz	60Hz						N°							
MVE 50/1	MVE 50/12	C	30	273		55		Multiple Footprint			4	154	175	15	79	142	163	131
			80		110		11											
			90		125		13											
			124		110		11											
MVE 100/1	MVE 100/12	C	30	303		70		135 115 11			4	154	175	15	79	142	163	131
MVE 200/1	MVE 200/12	D	40	334		78		105	140	13	4	168	196	22	92	169	178	158
MVE 300/1	MVE 300/12	D	50	391		93		120	170	17	4	208	210	22	94	180	205	170
MVE 500/1	MVE 500/12	D	50	451		123		120	170	17	4	208	210	22	94	180	205	170
MVE 510/1	MVE 510/12	D	50	451		123		120	170	17	4	208	210	22	94	180	205	170
MVE 800/1	MVE 800/12	D	60	446		96		140	190	17	4	229	262	30	120	247	220	222
MVE 1100/1	MVE 1100/12	D	60	510	446	129	96	140	190	17	4	229	262	30	120	247	220	222
MVE 1500/1	MVE 1500/12	D	60	562	510	154	129	140	190	17	4	229	262	30	120	247	220	222
MVE 1600/1	MVE 1600/12	D	70	556	522	140	123	155	225	22	4	272	295	40	140	267	250	235
MVE 2100/1	MVE 2100/12	D	70	616	556	170	140	155	225	22	4	272	295	40	140	267	250	235
MVE 2600/1	MVE 2600/12	D	75	708	588	200	140	155	255	23.5	4	302	318	35	147	295	273	264
MVE 3000/1	MVE 3000/12	D	75	708	608	200	150	155	255	23.5	4	302	318	35	147	295	273	264
MVE 5210/1	MVE 5210/12	E	78	794		242		105	248	22	6	300	335	30	163	305	310	284
MVE 3800/1	MVE 3800/12	D	80	683	603	170	130	180	280	26	4	332	360	37	167	345	304	310
MVE 4700/1	MVE 4700/12	D	80	733	683	195	170	180	280	26	4	332	360	37	167	345	304	310
MVE 5200/1	MVE 5200/12	D	85	688	605	160	120	200	320	28	4	378	411	49	200	424	325	378
MVE 6500/1	MVE 6500/12	D	85	688		160		200	320	28	4	378	411	49	200	424	325	378
MVE 8000/1	MVE 8000/12	D	85	788	688	210	160	200	320	28	4	378	411	49	200	424	325	378
MVE 9000/1	MVE 9000/12	D	85	788	688	210	160	200	320	39	4	378	411	49	200	424	325	378
MVE 10000/1	MVE 10000/12	E	90	826		210		125	380	39	6	452	430	44	204	422	367	378
MVE 13000/1	MVE 13000/12	E	90	926	826	260	210	125	380	39	6	452	430	44	204	422	367	378
MVE 12000/1	MVE 12000/12	E	100	1020		275		140	440	45	6	530	484	37	232	446	470	424
MVE 15000/1	MVE 15000/12	H	105	980		210		140	480	45	8	570	542	48	268	510	560	490
MVE 17500/1	MVE 17500/12	H	105	1060		250		140	480	45	8	570	542	48	268	510	560	490
MVE 19500/1	MVE 19500/12	H	105	1060		250		140	480	45	8	570	542	48	268	510	560	490
MVE 22000/1	MVE 22000/12	H	110	1130		285		140	520	45	8	610	594	42	297	560	560	530
MVE 25000/1	MVE 25000/12	H	110	1130		285		140	520	45	8	610	594	42	297	560	560	530

NOTE: Dimensions with coarse degree of accuracy related to UNI 22768/1

This information is provided without warranty, representation, inducement or licence of any kind. It is accurate to the best OLI knowledge or is obtained from sources believed to be accurate. OLI therefore assumes no legal responsibility.

STANDARD

INCREASED SAFETY

EXPLOSION-PROOF

HI-STROKE MILLING



- » II3 D Ex tD A22 Tx IP66
- » TÜV NORD Statement Conformity Number TÜV 05 ATEX 2768X
- » Equipment and protective system intended for use in potentially explosive atmospheres [Zone 22] - Directive 94/9/EC
- » Compliance with Essential Health and Safety Requirements
- » IEC 60079-10-2



MVE STANDARD RANGE



8 POLES - 750/900 rpm



Wm (kgcm)		Model		Centrifugal Force (kg)		Weight (kg)		ELECTRICAL SPECIFICATIONS							CERTIFICATE	
								Input Power (kW)		Nominal Current A max. (Y)		Ia / In		Cable Gland	Class II Div.2	Ex II3D
50Hz	60Hz	50Hz	60Hz	50Hz	60Hz	50Hz	60Hz	50Hz	60Hz	50Hz	60Hz	50Hz	60Hz	Metric	Temp. Class	Temp. Class
33.39		MVE 150/075	MVE 150/090	105	151	21.4		0.23	0.25	1.14	1.14	1.5	1.5	M20	T4	100°C
56.93		MVE 250/075	MVE 250/090	179	257	29.5		0.35	0.38	1.15	1.15	1.7	1.7	M20	T4	100°C
84.02		MVE 400/075	MVE 400/090	264	380	35.0		0.35	0.38	1.15	1.15	1.9	1.9	M20	T4	100°C
137.31		MVE 650/075	MVE 650/090	431	621	64.7		0.50	0.60	1.20	1.20	2.2	2.2	M25	T4	135°C
187.72		MVE 900/075	MVE 900/090	589	849	71.0		0.65	0.78	1.23	1.29	2.5	2.5	M25	T4	135°C
299.60		MVE 1300/075	MVE 1300/090	941	1355	99.8		1.20	1.10	2.50	1.83	3.0	3.0	M25	T4	135°C
467.41		MVE 2100/075	MVE 2100/090	1468	2114	150.4		1.50	1.80	2.81	2.89	4.2	4.1	M32	T4	135°C
680.34		MVE 3100/075	MVE 3100/090	2137	3077	212.2		2.00	2.30	3.79	3.77	4.0	4.0	M32	T4	135°C
838.43		MVE 3800/075	MVE 3800/090	2633	3792	230.2		2.50	3.00	6.00	6.00	3.9	4.0	M32	T4	135°C
929.74		MVE 4200/075	MVE 4200/090	2920	4205	284.5		2.90	3.40	6.50	6.50	3.8	3.7	M32	T4	135°C
1165.22		MVE 5300/075	MVE 5300/090	3660	5270	305		4.00	4.30	8.50	8.00	3.8	4.2	M32	T4	135°C
1435.85		MVE 6500/075	MVE 6500/090	4510	6494	324.4		5.00	5.90	10.00	10.00	3.6	4.0	M32	T4	135°C
										A max. (Δ)						
2200.43		MVE 10000/075	MVE 10000/090	6911	9952	422.2		6.80	7.50	13.50	12.5	3.5	4.2	M32	T4	135°C
2835	2553	MVE 12000/075	MVE 12000/090	8904	11546	571	553	7.5	8	13.5	13.5	3.8	4.0	M32	-	135°C
3713	3220	MVE 14000/075	MVE 14000/090	11661	14563	751	725	9.0	10.6	19	19	4.5	5.0	M32	-	135°C
4401	3920	MVE 17000/075	MVE 17000/090	13822	17729	812	792	9.1	11	20	20	5.3	5.8	M32	-	135°C
5857	4999	MVE 22000/075	MVE 22000/090	18395	22610	982	937	13.8	16.5	28	28	5.6	5.2	M32	-	135°C
-	5857	NA	MVE 26000/090	-	26489	-	982	-	16.5	-	28	-	5.2	M32	-	135°C



UP TO SIZE 90 (INCLUDED)
60Hz masses = 50Hz masses adjusted at 100%



ABOVE SIZE 90 (NOT INCLUDED)
Specific masses for 60Hz

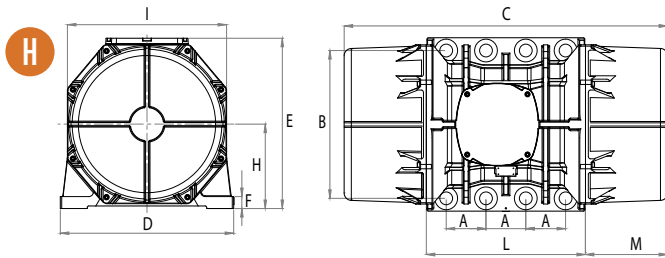
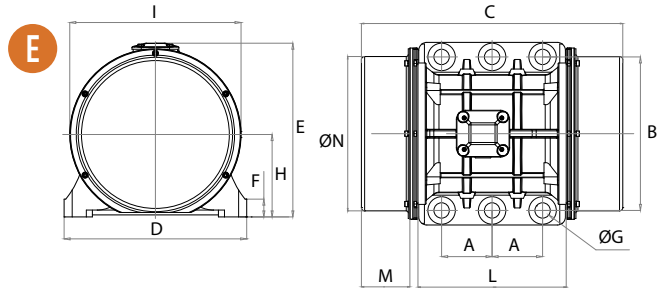
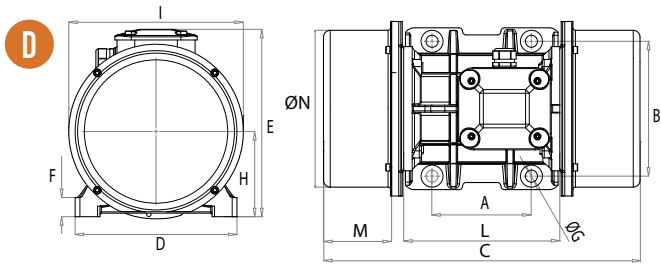
To convert kg into Newton: $N = 9.81 \cdot kg$



» Declaration of conformity "type B" according to:
2006/95/EC - 2004/108/EC - 2006/42/EC - EN 60034-1



» Class II Div.2 Group F, G - T4 - NEMA 4
» Conform to UL 1836, UL1004-1 Cert. CSA C22.2 N. 25, 100, 145
» Intertek ETL - SEMCO File Number 3177001



DIMENSIONAL SPECIFICATIONS (mm)

Model		Drawing	Size	C		M		A	B	ØG	Holes N°	D	E	F	H	I	L	N
				50Hz	60Hz	50Hz	60Hz											
MVE 150/075	MVE 150/090	D	40	334	78	105	140	13	4	168	196	22	92	169	178	158		
MVE 250/075	MVE 250/090	D	50	391	93	120	170	17	4	208	210	22	94	180	205	170		
MVE 400/075	MVE 400/090	D	50	451	123	120	170	17	4	208	210	22	94	180	205	170		
MVE 650/075	MVE 650/090	D	60	446	96	140	190	17	4	229	262	30	120	247	220	222		
MVE 900/075	MVE 900/090	D	60	510	129	140	190	17	4	229	262	30	120	247	220	222		
MVE 1300/075	MVE 1300/090	D	70	556	140	155	225	22	4	272	295	40	140	267	250	235		
MVE 2100/075	MVE 2100/090	D	75	708	200	155	255	23.5	4	302	318	35	147	295	273	264		
MVE 3100/075	MVE 3100/090	D	80	683	170	180	280	26	4	332	360	37	167	345	304	310		
MVE 3800/075	MVE 3800/090	D	80	733	195	180	280	26	4	332	360	37	167	345	304	310		
MVE 4200/075	MVE 4200/090	D	85	688	160	200	320	28	4	378	410	49	199	422	325	378		
MVE 5300/075	MVE 5300/090	D	85	688	160	200	320	28	4	378	410	49	199	422	325	378		
MVE 6500/075	MVE 6500/090	D	85	788	210	200	320	28	4	378	410	49	199	422	325	378		
MVE 10000/075	MVE 10000/090	E	90	926	260	125	380	39	6	452	430	44	204	422	367	378		
MVE 12000/075	MVE 12000/090	E	100	1020	275	140	440	45	6	530	484	37	232	446	470	424		
MVE 14000/075	MVE 14000/090	H	105	1060	250	140	480	45	8	570	542	48	268	510	560	490		
MVE 17000/075	MVE 17000/090	H	105	1120	280	140	480	45	8	570	542	48	268	510	560	490		
MVE 22000/075	MVE 22000/090	H	110	1130	285	140	520	45	8	610	594	42	297	560	560	530		
NA	MVE 26000/090	H	110	1130	285	140	520	45	8	610	594	42	297	560	560	530		

NOTE: Dimensions with coarse degree of accuracy related to UNI 22768/1

This information is provided without warranty, representation, inducement or licence of any kind. It is accurate to the best OLI knowledge or is obtained from sources believed to be accurate. OLI therefore assumes no legal responsibility.

STANDARD

INCREASED SAFETY

EXPLOSION-PROOF

HI-STROKE MILLING



- » II3 D Ex tD A22 Tx IP66
- » TÜV NORD Statement Conformity Number TÜV 05 ATEX 2768X
- » Equipment and protective system intended for use in potentially explosive atmospheres [Zone 22] - Directive 94/9/EC
- » Compliance with Essential Health and Safety Requirements
- » IEC 60079-10-2



MVE STANDARD RANGE



2 POLES SINGLE-PHASE - 3000/3600 rpm



*1

Wm (kgcm)		Model		Centrifugal Force (kg)		Weight (kg)		ELECTRICAL SPECIFICATIONS										CERTIFICATE	
								Input Power (kW)		Nominal Current A max		Ia / In		Cable Gland	Capacitor *		Class II Div.2	Ex II3D	
50Hz	60Hz	50Hz	60Hz	50Hz	60Hz	50Hz	60Hz	50Hz	60Hz	50Hz (230V)	60Hz (115V)	50Hz	60Hz	Metric	50Hz (230V)	60Hz (115V)	Temp. Class	Temp. Class	
1.31	0.98	MVE 60/3M		66	71	4.2		0.08	0.09	0.43	3.0	3.0	3.0	M16	3 µF	6.3 µF	T4	100°C	
1.96	1.31	MVE 100/3M		98	95	4.6		0.1	0.11	0.54	3.0	3.0	3.0	M16	4 µF	8 µF	T4	100°C	
3.72	2.61	MVE 200/3M		187	189	7.0		0.18	0.21	1.14	3.30	3,3	3.30	M20	8 µF	16 µF	T4	100°C	
3.72	2.61	MVE 202/3M		187	189	7.2		0.18	0.21	1.14	3.30	3,3	3.30	M20	8 µF	16 µF	T4	100°C	
6.39	4.46	MVE 300/3M		321	323	9.8		0.27	0.28	1.58	3.50	3.60	3.50	M20	12.5 µF	25 µF	T4	100°C	

* NOTE: Capacitor not supplied with vibrator (to be ordered separately)

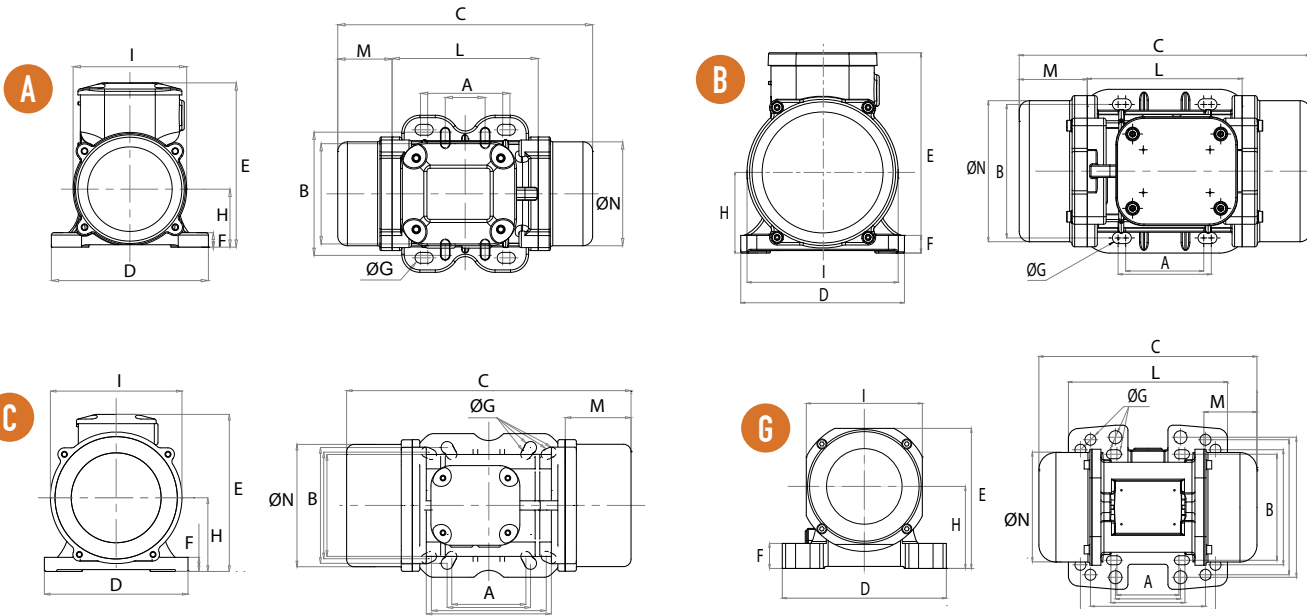
To convert kg into Newton: $N = 9.81 \cdot kg$



» Declaration of conformity "type B" according to:
2006/95/EC - 2004/108/EC - 2006/42/EC - EN 60034-1



» Class II Div.2 Group F, G - T4 - NEMA 4
» Conform to UL 1836, UL1004-1 Cert. CSA C22.2 N. 25, 100, 145
» Intertek ETL - SEMCO File Number 3177001



Model		Drawing	Size	DIMENSIONAL SPECIFICATIONS (mm)														
				C		M		A	B	ØG	Holes	D	E	F	H	I	L	N
50Hz	60Hz			50Hz	60Hz	50Hz	60Hz				N°							
MVE 60/3M		A	10	211		45		Multiple Footprint 62-74 106 9			4	130	136	12	48	94	121	85
MVE 100/3M		A	10	211		45		33 83-102 7			4	130	136	12	48	94	121	85
MVE 200/3M		B	20	231		54		62-74	106	9	4	131	159	15	64	121	123	112
MVE 202/3M		G	23	218		53		Multiple Footprint			4	164	140	25	82	116	159	110
								80 110 11										
								90 125 13										
								124 110 11										
MVE 300/3M		C	30	273		55		Multiple Footprint			4	154	175	15	79	142	163	131
								62-74 106 9										
								65 140 13										
								115 135 11										
				135 115 11														

NOTE: Dimensions with coarse degree of accuracy related to UNI 22768/1

This information is provided without warranty, representation, inducement or licence of any kind. It is accurate to the best OLI knowledge or is obtained from sources believed to be accurate. OLI therefore assumes no legal responsibility.

STANDARD

INCREASED SAFETY

EXPLOSION-PROOF

HI-STROKE MILLING



- » I13 D Ex tD A22 Tx IP66
- » TÜV NORD Statement Conformity Number TÜV 05 ATEX 2768X
- » Equipment and protective system intended for use in potentially explosive atmospheres [Zone 22] - Directive 94/9/EC
- » Compliance with Essential Health and Safety Requirements
- » IEC 60079-10-2



MVE STANDARD RANGE



MICRO - 3000/3600 rpm



THREE-PHASE

Wm (kgcm)		Model		Centrifugal Force (kg)		Weight (kg)		ELECTRICAL SPECIFICATIONS						CERTIFICATE	
								Input Power (kW)		Nominal Current A max			Cable Gland	For 60Hz	For 50Hz
50Hz	60Hz	50Hz	60Hz	50Hz	60Hz	50Hz	60Hz	50Hz (230V)	50Hz (400V)	60Hz (460V)	Metric	Class II Div.2		II3D	
0.40	0.40	MICRO 21		20	29	2		0.04	0.04	0.16		0.12	0.12	M16	Temp. Class
0.90	0.90	MICRO 41		45	65	2.4		0.06	0.06	0.30	0.18	0.18	M16	T4	100°C

SINGLE-PHASE

Wm (kgcm)		Model		Centrifugal Force (kg)		Weight (kg)		ELECTRICAL SPECIFICATIONS						CERTIFICATE	
								Input Power (kW)		Nominal Current A max		Cable Gland *	For 60Hz	For 50Hz	
50Hz	60Hz	50Hz	60Hz	50Hz	60Hz	50Hz	60Hz	50Hz (230V)	60Hz (115V)	Metric	Class II Div.2		II3D		
0.08	0.08	MICRO 3 M		4	6	1.6		0.03	0.04		0.30	0.80	M16	Temp. Class	Temp. Class
0.12	0.12	MICRO 6 M		6	9	1.6		0.03	0.04	0.30	0.80	M16	T4	100°C	
0.40	0.40	MICRO 21 M		20	29	2		0.04	0.07	0.20	0.80	M16	T4	100°C	
0.90	0.90	MICRO 41 M		45	65	2.4		0.05	0.07	0.25	0.80	M16	T4	100°C	

* NOTE: Capacitor integrated in the cable

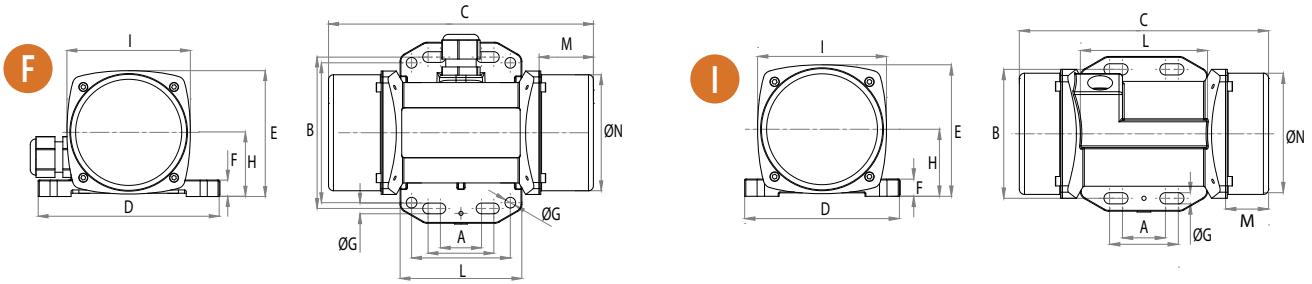
To convert kg into Newton: $N = 9.81 \cdot kg$



» Declaration of conformity "type B" according to:
2006/95/EC - 2004/108/EC - 2006/42/EC - EN 60034-1



» Class II Div.2 Group F, G - T4 - NEMA 4
» Conform to UL 1836, UL1004-1 Cert. CSA C22.2 N. 25, 100, 145
» Intertek ETL - SEMCO File Number 3177001



Model		Drawing	DIMENSIONAL SPECIFICATIONS (mm)												
			C	M	A	B	Ø G	Holes	D	E	F	H	I	L	N
50Hz	60Hz		50Hz	50Hz	Multiple Footprint			N°							
MICRO 21/3		F	145	25	25-40	92	6.5	4	110	76.5	10	39	75	74	70.5
					60	85	6.5								
MICRO 41/3		F	161	33	Multiple Footprint			4	110	76.5	10	39	75	74	70.5
					25-40	92	6.5								
					60	85	6.5								

Motor Name		Drawing	DIMENSIONAL SPECIFICATIONS (mm)												
			C	M	A	B	Ø G	Holes	D	E	F	H	I	L	N
50Hz	60Hz		50Hz	50Hz	Multiple Footprint			N°							
MICRO 3/3 M		F	145	25	25-40	92	6.5	4	110	76.5	10	39	75	74	70.5
					60	85	6.5								
MICRO 6/3 M		I	145	25	25-40	75	6.5	4	90	76.5	10	39	75	74	70.5
					-	-	-								
MICRO 21/3 M		F	145	25	Multiple Footprint			4	110	76.5	10	39	75	74	70.5
					25-40	92	6.5								
					60	85	6.5								
MICRO 41/3 M		F	161	25	Multiple Footprint			4	110	76.5	10	39	75	74	70.5
					25-40	92	6.5								
					60	85	6.5								

NOTE: Dimensions with coarse degree of accuracy related to UNI 22768/1

This information is provided without warranty, representation, inducement or licence of any kind. It is accurate to the best OLI knowledge or is obtained from sources believed to be accurate. OLI therefore assumes no legal responsibility.

STANDARD

EXPLOSION-PROOF

INCREASED SAFETY

HI-STROKE MILLING



- » II3 D Ex tD A22 Tx IP66
- » TÜV NORD Statement Conformity Number TÜV 05 ATEX 2768X
- » Equipment and protective system intended for use in potentially explosive atmospheres [Zone 22] - Directive 94/9/EC
- » Compliance with Essential Health and Safety Requirements
- » IEC 60079-10-2



MVE STANDARD RANGE

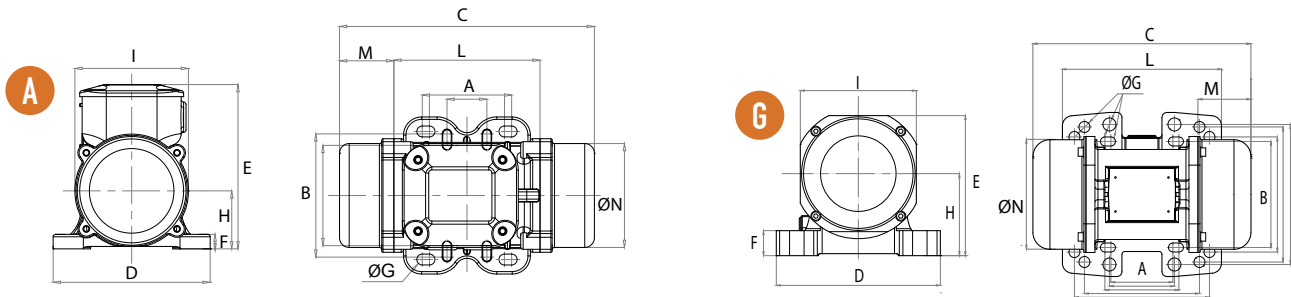


DC DIRECT CURRENT - 3000 rpm



Wm (kgcm)	Model	RPM	Centrifugal Force (kg)	Weight (kg)	ELECTRICAL SPECIFICATIONS			CERTIFICATE
					Input Power (kW)	Nominal Current A max	Cable Gland	 II3D
1.02	MVE 50 DC 12	3000	50	4.4	0.08	6.6	M16	100°C
1.02	MVE 50 DC 24	3000	50	4.4	0.08	3.3	M16	100°C
4.17	MVE 202 DC 12	3000	200	7.2	0.16	13.3	M20	100°C
4.17	MVE 202 DC 24	3000	200	7.2	0.16	6.7	M20	100°C

To convert kg into Newton: $N = 9.81 \cdot kg$



DIMENSIONAL SPECIFICATIONS (mm)															
Model	Drawing	Size	C	M	A	B	ØG	Holes	D	E	F	H	I	L	N
MVE 50 DC 12	A	10	211	45	Multiple Footprint			4	130	136	12	48	94	121	85
					62-74	106	9								
MVE 50 DC 24	A	10	211	45	33	83-102	7	4	130	136	12	48	94	121	85
MVE 202 DC 12	G	23	218	53	Multiple Footprint			4	164	140	25	82	116	159	110
					62-74	106	9								
MVE 202 DC 24	G	23	218	53	115	135	11	4	164	140	25	82	116	159	110
					135	115	11								

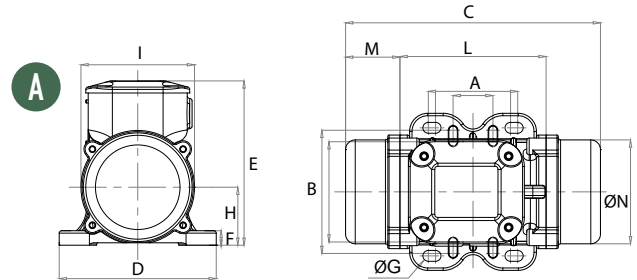
NOTE: Dimensions with coarse degree of accuracy related to UNI 22768/1

This information is provided without warranty, representation, inducement or licence of any kind. It is accurate to the best OLI knowledge or is obtained from sources believed to be accurate. OLI therefore assumes no legal responsibility.



MVE-E INCREASED SAFETY

2 POLES - 3000/3600 rpm



Wm (kgcm)		Model		Centrifugal Force (kg)		Weight (kg)		ELECTRICAL SPECIFICATIONS						CERTIFICATE		
50Hz	60Hz	50Hz	60Hz	50Hz	60Hz	50Hz	60Hz	Input Power (kW)		Nominal Current A max. (Y)		Ia / In		Cable Gland	Class II Div.2	Ex IIBD
50Hz	60Hz	50Hz	60Hz	50Hz	60Hz	50Hz	60Hz	50Hz	60Hz	50Hz (400V)	60Hz (460V)	50Hz	60Hz	Metric	Temp. Class	Temp. Class
3.72	2.61	MVE 200/3E	MVE 200/36E	187	189	7.0		0.18	0.21	0.35	0.35	3,30	3,30	M20	T4	100°C
3.72	2.61	MVE 202/3E	MVE 202/36E	187	189	7.2		0.18	0.21	0.35	0.35	3,30	3,30	M20	T4	100°C
6.39	4.46	MVE 300/3E	MVE 300/36E	321	323	9.8		0.27	0.28	0.52	0.45	3.60	3.50	M20	T4	100°C
7.96	5.68	MVE 400/3E	MVE 400/36E	407	411	10.3		0.30	0.36	0.58	0.60	3.50	3.50	M20	T4	100°C
10.27	7.38	MVE 500/3E	MVE 500/36E	530	534	15.8		0.50	0.58	0.96	0.97	4.00	4.20	M20	T4	100°C
14.90	10.57	MVE 700/3E	MVE 700/36E	758	765	16.5		0.66	0.75	1.25	1.24	4.30	5.00	M20	T4	100°C
15.68	11.06	MVE 800/3E	MVE 800/36E	794	800	20.6		0.75	0.90	1.45	1.50	3.80	3.80	M20	T4	100°C
22.41	15.68	MVE 1200/3E	MVE 1200/36E	1005	1013	21.6		0.95	1.15	1.85	1.95	4.40	4.50	M20	T4	100°C
20.26	14.00	MVE 1300/3E	MVE 1300/36E	1355	1365	22.0		1.30	1.38	2.44	2.25	5.20	5.00	M20	T4	100°C
26.58	18.60	MVE 1301/3E	MVE 1301/36E	1355	1365	34		1.30	1.38	2.44	2.25	5.20	5.00	M20	T4	100°C
26.58	18.60	MVE 1310/3E	MVE 1310/36E	1123	1616	34		1.30	1.38	2.44	2.25	5.20	5.00	M20	T4	100°C
31.26	22.22	MVE 1600/3E	MVE 1600/36E	1601	1608	51.6	51.2	1.57	1.60	2.94	2.61	5.90	6.20	M25	T4	135°C
36.78	27.60	MVE 2000/3E	MVE 2000/36E	2027	1997	52.8	52.0	2.00	2.10	3.75	3.42	6.50	6.40	M25	T4	135°C
45.97	31.87	MVE 2300/3E	MVE 2300/36E	2302	2306	53.6	51.6	2.40	2.45	4.44	3.94	6.00	6.30	M25	T4	135°C
68.10	43.89	MVE 3200/3E	MVE 3200/36E	3252	3176	103.0	101.4	2.90	2.90	5.30	4.61	8.30	8.20	M32	T4	135°C
79.40	55.99	MVE 4000/3E	MVE 4000/36E	4033	4052	107.0	103.8	2.90	2.90	5.30	4.61	8.50	9.70	M32	T4	135°C

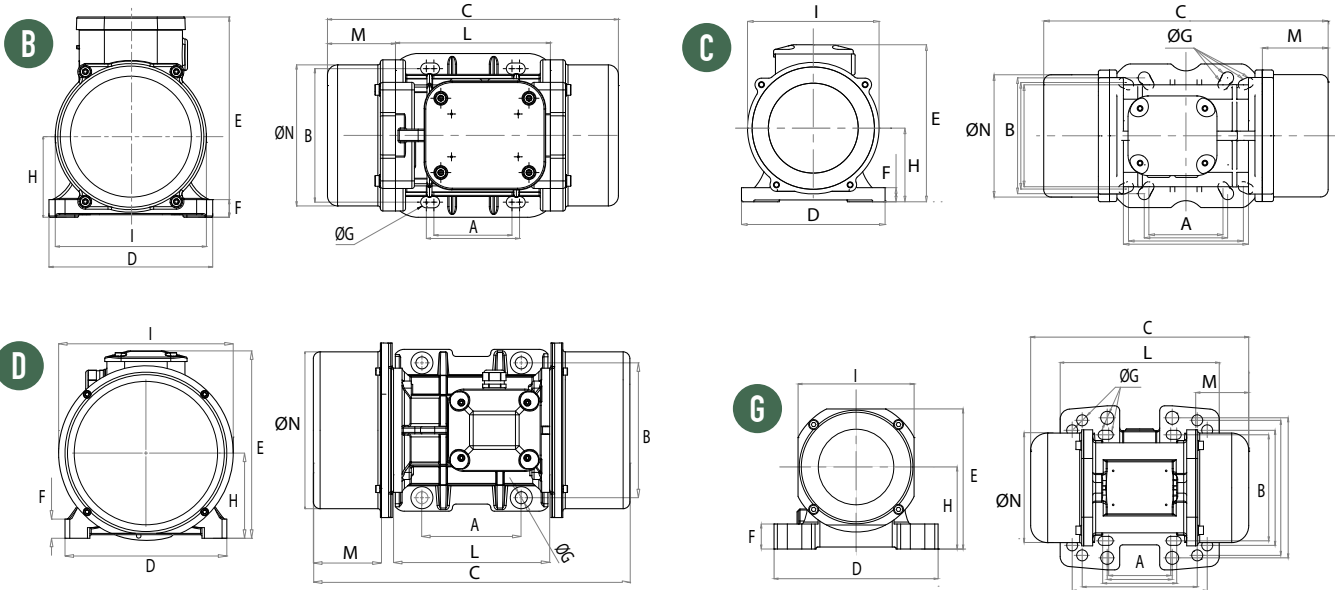


UP TO SIZE 60 (NOT INCLUDED)
60Hz masses = 50Hz masses adjusted at 70%



ABOVE SIZE 60 (INCLUDED)
Specific masses for 60Hz

To convert kg into Newton: $N = 9.81 \cdot kg$



DIMENSIONAL SPECIFICATIONS (mm)

Model		Drawing	Size	C		M		A	B	ØG	Holes	D	E	F	H	I	L	N
				50Hz	60Hz	50Hz	60Hz											
MVE 200/3E	MVE 200/36E	B	20	231	54	62-74	106	9	4	131	159	15	64	121	123	112		
MVE 202/3E	MVE 202/36E	G	23	218	53	Multiple Footprint			4	164	140	25	82	116	159	110		
						62-74	106	9										
						65	140	13										
						115	135	11										
MVE 300/3E	MVE 300/36E	C	30	253	45	Multiple Footprint			4	154	175	15	79	142	163	131		
						80	110	11										
						90	125	13										
						124	110	11										
MVE 400/3E	MVE 400/36E	C	30	273	55	Multiple Footprint			4	154	175	15	79	142	163	131		
						135	115	11										
MVE 500/3E	MVE 500/36E	D	40	334	78	105	140	13	4	168	196	22	92	169	178	158		
MVE 700/3E	MVE 700/36E	D	40	334	78	105	140	13	4	168	196	22	92	169	178	158		
MVE 800/3E	MVE 800/36E	D	50	321	58	120	170	17	4	208	210	22	94	180	205	170		
MVE 1200/3E	MVE 1200/36E	D	50	321	58	120	170	17	4	208	210	22	94	180	205	170		
MVE 1300/3E	MVE 1300/36E	D	50	321	58	120	170	17	4	208	210	22	94	180	205	170		
MVE 1301/3E	MVE 1301/36E	D	53	321	58	100	180	17	4	236	210	26	98	180	205	170		
MVE 1310/3E	MVE 1310/36E	D	55	321	58	100	200	17	4	236	210	26	98	180	205	170		
MVE 1600/3E	MVE 1600/36E	D	60	418	83	140	190	17	4	229	262	30	120	247	220	222		
MVE 2000/3E	MVE 2000/36E	D	60	418	83	140	190	17	4	229	262	30	120	247	220	222		
MVE 2300/3E	MVE 2300/36E	D	60	418	83	140	190	17	4	229	262	30	120	247	220	222		
MVE 3200/3E	MVE 3200/36E	D	75	538	115	155	255	25	4	302	318	35	147	295	273	264		
MVE 4000/3E	MVE 4000/36E	D	75	538	115	155	255	25	4	302	318	35	147	295	273	264		

NOTE: Dimensions with coarse degree of accuracy related to UNI 22768/1

This information is provided without warranty, representation, inducement or licence of any kind. It is accurate to the best OLI knowledge or is obtained from sources believed to be accurate. OLI therefore assumes no legal responsibility.

STANDARD

EXPLOSION-PROOF

HI-STROKE MILLING

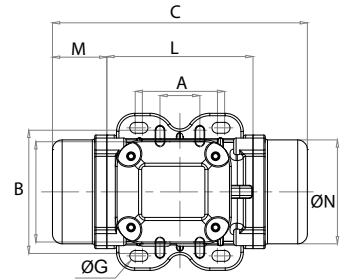
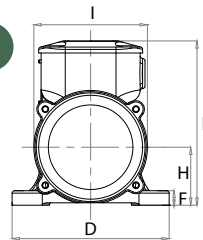


MVE-E INCREASED SAFETY

4 POLES - 1500/1800 rpm



A



Wm (kgcm)		Model		Centrifugal Force (kg)		Weight (kg)		ELECTRICAL SPECIFICATIONS						CERTIFICATE		
50Hz	60Hz	50Hz	60Hz	50Hz	60Hz	50Hz	60Hz	Input Power (kW)		Nominal Current A max. (Y)		Ia / In		Cable Gland	Class II Div.2	Ex IIBD
50Hz	60Hz	50Hz	60Hz	50Hz	60Hz	50Hz	60Hz	50Hz	60Hz	50Hz (400V)	60Hz (460V)	50Hz	60Hz	Metric	Temp. Class	Temp. Class
15.44	10.83	MVE 200/15E	MVE 200/18E	194	196		11.8	0.16	0.17	0.49	0.50	2.00	2.00	M20	T4	100°C
33.43	23.38	MVE 400/15E	MVE 400/18E	420	423		19.5	0.30	0.35	0.84	0.86	2.50	2.50	M20	T4	100°C
40.12	28.08	MVE 500/15E	MVE 500/18E	504	508		21.0	0.35	0.40	1.06	1.09	2.80	2.70	M20	T4	100°C
26.58	18.60	MVE 300/15E	MVE 300/18E	334	336		22.5	0.62	0.73	1.32	1.41	3.00	3.20	M20	T4	100°C
56.83	39.36	MVE 700/15E	MVE 700/18E	714	712		27.4	0.62	0.73	1.32	1.41	3.00	3.20	M20	T4	100°C
88.67	62.02	MVE 1100/15E	MVE 1100/18E	1114	1122	35.8	28	0.65	0.78	1.50	1.70	3.80	3.80	M20	T4	100°C
108.57	76.72	MVE 1400/15E	MVE 1400/18E	1364	1388	59.8	58.2	0.90	1.10	1.71	1.78	4.00	4.00	M25	T4	135°C
137.31	91.98	MVE 1700/15E	MVE 1700/18E	1725	1664	61.8	59.4	1.15	1.30	2.16	2.09	4.70	4.50	M25	T4	135°C
187.69	137.36	MVE 2400/15E	MVE 2400/18E	2358	2485	68.0	62.0	1.60	1.90	3.00	3.20	4.90	4.90	M25	T4	135°C
203.53	135.65	MVE 2500/15E	MVE 2500/18E	2557	2454	90.0	84.0	1.80	2.00	3.40	3.40	6.00	6.10	M25	T4	135°C
248.66	169.75	MVE 3000/15E	MVE 3000/18E	3124	3071	97.5	87.0	1.90	2.30	3.70	3.80	6.50	6.60	M25	T4	135°C
306.69	204.74	MVE 3800/15E	MVE 3800/18E	3853	3704	130.4	118.4	2.20	2.60	4.12	4.15	6.80	6.80	M32	T4	135°C
343.22	240.95	MVE 4300/15E	MVE 4300/18E	4312	4359	134.4	123.6	2.50	3.00	5.70	5.80	7.00	7.20	M32	T4	135°C
437.39	303.74	MVE 5500/15E	MVE 5500/18E	5495	5495	192.2	190.0	3.60	3.45	6.50	6.60	7.10	7.00	M32	T4	135°C
								A max. (Δ)								
576.76	397.32	MVE 7200/15E	MVE 7200/18E	7246	7188	253.0	246.6	5.00	6.00	9.60	9.41	6.80	6.90	M32	T4	135°C
717.97	498.76	MVE 9000/15E	MVE 9000/18E	9020	9023	268.6	257.8	7.50	8.50	12.00	12.00	7.00	7.00	M32	T4	135°C
800.11	588.30	MVE 10000/15E	MVE 10000/18E	10052	10643	311.8	297.4	7.80	9.40	13.00	13.00	6.50	6.40	M32	T4	135°C
939.2	655.4	MVE 11500/15E	MVE 11500/18E	11779	11853	445	422	9	10.5	15.50	15.50	7	7	M32	-	135°C
1142.4	837.6	MVE 14500/15E	MVE 14500/18E	14352	15153	460	442	11.5	13	18.5	18.5	8	8	M32	-	135°C

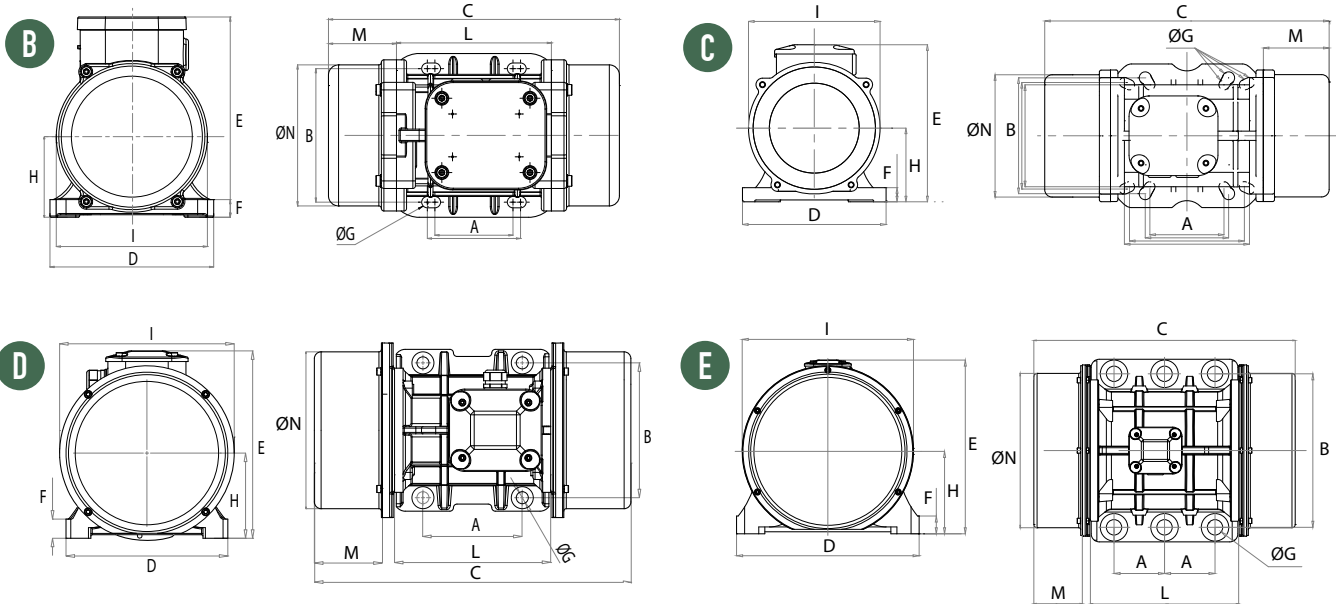


UP TO SIZE 60 (NOT INCLUDED)
 60Hz masses = 50Hz masses adjusted at 70%
 Except for model MVE 1100/15E - 1100/18E



ABOVE SIZE 60 (INCLUDED)
 Specific masses for 60Hz

To convert kg into Newton: $N = 9.81 \cdot kg$



DIMENSIONAL SPECIFICATIONS (mm)

Model		Drawing	Size	C		M		A	B	ØG	Holes	D	E	F	H	I	L	N
				50Hz	60Hz	50Hz	60Hz				N°							
MVE 200/15	MVE 200/18	C	30	273		55		Multiple Footprint 80 110 11 90 125 13 124 110 11 135 115 11			4	154	175	15	79	142	163	131
MVE 400/15E	MVE 400/18E	D	40	334		78		105	140	13	4	168	196	22	92	169	178	158
MVE 500/15E	MVE 500/18E	D	40	334		78		105	140	13	4	168	196	22	92	169	178	158
MVE 300/15E	MVE 300/18E	D	50	321		58		120	170	17	4	208	210	22	94	180	205	170
MVE 700/15E	MVE 700/18E	D	50	391		93		120	170	17	4	208	210	22	94	180	205	170
MVE 1100/15E	MVE 1100/18E	D	50	451	391	123	93	120	170	17	4	208	210	22	94	180	205	170
MVE 1400/15E	MVE 1400/18E	D	60	446		96		140	190	17	4	229	262	30	120	247	220	222
MVE 1700/15E	MVE 1700/18E	D	60	446		96		140	190	17	4	229	262	30	120	247	220	222
MVE 2400/15E	MVE 2400/18E	D	60	510	446	129	96	140	190	17	4	229	262	30	120	247	220	222
MVE 2500/15E	MVE 2500/18E	D	70	522	486	123	105	155	225	22	4	272	295	40	140	267	250	235
MVE 3000/15E	MVE 3000/18E	D	70	556	486	123	105	155	225	22	4	272	295	40	140	267	250	235
MVE 3800/15E	MVE 3800/18E	D	75	588	538	140	115	155	255	23.5	4	302	318	35	147	295	273	264
MVE 4300/15E	MVE 4300/18E	D	75	588		140		155	255	23.5	4	302	318	35	147	295	273	264
MVE 5500/15E	MVE 5500/18E	D	80	603		130		180	280	26	4	332	360	37	167	345	304	310
MVE 7200/15E	MVE 7200/18E	D	85	608		120		200	320	28	4	378	411	49	200	424	325	378
MVE 9000/15E	MVE 9000/18E	D	85	608		120		200	320	28	4	378	411	49	200	424	325	378
MVE 10000/15E	MVE 10000/18E	E	90	726	646	160	120	125	380	39	6	452	430	44	204	422	367	378
MVE 11500/15E	MVE 11500/18E	E	100	890		210		140	440	45	6	530	484	37	232	446	470	424
MVE 14500/15E	MVE 14500/18E	E	100	890		210		140	440	45	6	530	484	37	232	446	470	424

NOTE: Dimensions with coarse degree of accuracy related to UNI 22768/1

This information is provided without warranty, representation, inducement or licence of any kind. It is accurate to the best OLI knowledge or is obtained from sources believed to be accurate. OLI therefore assumes no legal responsibility.

STANDARD

EXPLOSION-PROOF

HI-STROKE MILLING



MVE-E INCREASED SAFETY



6 POLES - 1000/1200 rpm



Wm (kgcm)		Model		Centrifugal Force (kg)		Weight (kg)		ELECTRICAL SPECIFICATIONS							CERTIFICATE	
50Hz	60Hz	50Hz	60Hz	50Hz	60Hz	50Hz	60Hz	Input Power (kW)		Nominal Current A max. (Y)		Ia / In		Cable Gland	Class II Div.2	Ex IIBD
50Hz	60Hz	50Hz	60Hz	50Hz	60Hz	50Hz	60Hz	50Hz	60Hz	50Hz (400V)	60Hz (460V)	50Hz	60Hz	Metric	Temp. Class	Temp. Class
9.49	6.59	MVE 50/1E	MVE 50/12E	53	53	10.4		0.12	0.14	0.40	0.50	2.00	2.00	M20	T4	100°C
18.80	13.18	MVE 100/1E	MVE 100/12E	105	106	12.2		0.12	0.14	0.40	0.50	2.00	2.00	M20	T4	100°C
33.49	23.38	MVE 200/1E	MVE 200/12E	187	188	19.6		0.18	0.21	0.53	0.51	2.00	2.00	M20	T4	100°C
56.93	39.85	MVE 300/1E	MVE 300/12E	318	320	26.6		0.35	0.38	0.67	0.64	2.50	2.50	M20	T4	100°C
91.88	64.32	MVE 500/1E	MVE 500/12E	513	517	34.0		0.35	0.40	1.20	1.15	2.80	2.70	M20	T4	100°C
91.88	91.88	MVE 510/1E	MVE 510/12E	513	739	34.5		0.35	0.40	1.20	1.15	2.80	2.70	M20	T4	100°C
137.37	108.58	MVE 800/1E	MVE 800/12E	767	873	61.8	59.4	0.68	0.76	1.29	1.26	2.80	2.80	M25	T4	135°C
187.69	137.31	MVE 1100/1E	MVE 1100/12E	1048	1104	79.4	73.0	0.75	0.80	1.42	1.32	3.20	3.10	M25	T4	135°C
284.76	196.51	MVE 1500/1E	MVE 1500/12E	1590	1580	83.6	76.5	1.10	1.30	2.10	2.00	3.30	3.30	M25	T4	135°C
299.63	203.47	MVE 1600/1E	MVE 1600/12E	1673	1636	99.8	89.0	1.10	1.30	2.83	3.22	3.70	3.60	M25	T4	135°C
373.05	248.74	MVE 2100/1E	MVE 2100/12E	2083	2000	114.3	100.5	1.50	1.80	3.00	3.00	4.30	4.40	M25	T4	135°C
467.44	306.70	MVE 2600/1E	MVE 2600/12E	2610	2466	148.6	131.5	1.96	2.10	3.63	3.38	4.80	4.80	M32	T4	135°C
540.33	379.71	MVE 3000/1E	MVE 3000/12E	3017	3053	155.4	137.8	2.20	2.40	4.50	4.30	5.00	5.00	M32	T4	135°C
939.60	657.90	MVE 5210/1E	MVE 5210/12E	5237	5290	225	191	3.80	4	6.92	6.36	5.50	5.50	M25	T4	135°C
680.38	437.41	MVE 3800/1E	MVE 3800/12E	3799	3517	215.6	194.8	2.50	3.00	4.67	4.88	5.90	6.00	M32	T4	135°C
838.34	584.17	MVE 4700/1E	MVE 4700/12E	4681	4697	230.8	212.4	3.20	3.90	6.50	6.00	5.50	5.70	M32	T4	135°C
929.86	654.57	MVE 5200/1E	MVE 5200/12E	5192	5263	279.8	264.2	3.80	4.00	6.92	6.36	5.50	5.50	M32	T4	135°C
1165.19	823.96	MVE 6500/1E	MVE 6500/12E	6506	6625	304.4	280.7	4.30	5.00	7.76	7.81	6.20	6.00	M32	T4	135°C
										A max. (Δ)						
1435.98	929.80	MVE 8000/1E	MVE 8000/12E	8018	7476	325.2	290	7.10	7.50	12.60	11.60	6.00	6.20	M32	T4	135°C
1600.39	1165.23	MVE 9000/1E	MVE 9000/12E	8936	9369	337.8	307.6	7.50	8.30	13.20	12.60	6.30	6.20	M32	T4	135°C
1788.44	1239.98	MVE 10000/1E	MVE 10000/12E	9986	9970	385.8	359.3	7.60	8.00	13.50	12.70	6.40	6.40	M32	T4	135°C
2329.84	-	MVE 13000/1E	NA	13009	-	422.2	-	10.00	-	17.00	-	6.20	-	M32	T4	135°C

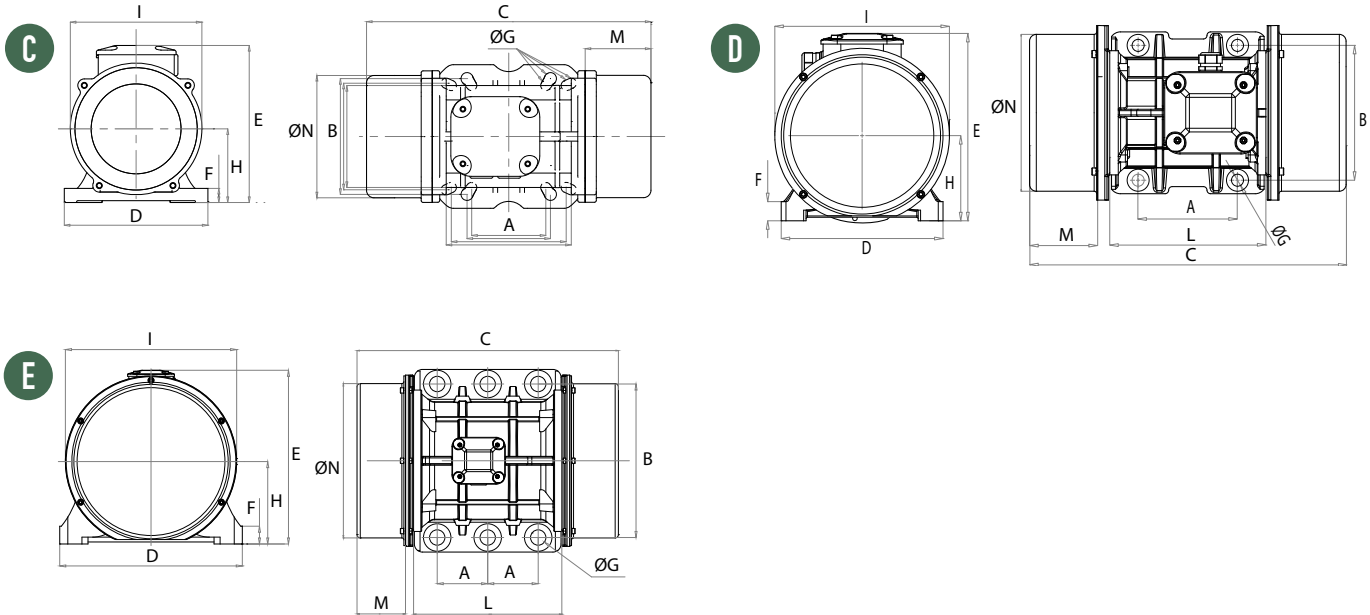


UP TO SIZE 60 (NOT INCLUDED)
60Hz masses = 50Hz masses adjusted at 70%



ABOVE SIZE 60 (INCLUDED)
Specific masses for 60Hz

To convert kg into Newton: $N = 9.81 \cdot kg$



DIMENSIONAL SPECIFICATIONS (mm)

Model		Drawing	Size	C		M		A	B	ØG	Holes	D	E	F	H	I	L	N
				50Hz	60Hz	50Hz	60Hz											
MVE 50/1E	MVE 50/12E	C	30	273		55		Multiple Footprint			4	154	175	15	79	142	163	131
							80	110	11									
							90	125	13									
							124	110	11									
MVE 100/1E	MVE 100/12E	C	30	303		70					4	154	175	15	79	142	163	131
							135	115	11									
MVE 200/1E	MVE 200/12E	D	40	334		78		105	140	13	4	168	196	22	92	169	178	158
MVE 300/1E	MVE 300/12E	D	50	391		93		120	170	17	4	208	210	22	94	180	205	170
MVE 500/1E	MVE 500/12E	D	50	451		123		120	170	17	4	208	210	22	94	180	205	170
MVE 510/1E	MVE 510/12E	D	50	451		123		120	170	17	4	208	210	22	94	180	205	170
MVE 800/1E	MVE 800/12E	D	60	446		96		140	190	17	4	229	262	30	120	247	220	222
MVE 1100/1E	MVE 1100/12E	D	60	510	446	129	96	140	190	17	4	229	262	30	120	247	220	222
MVE 1500/1E	MVE 1500/12E	D	60	562	510	154	129	140	190	17	4	229	262	30	120	247	220	222
MVE 1600/1E	MVE 1600/12E	D	70	556	522	140	123	155	225	22	4	272	295	40	140	267	250	235
MVE 2100/1E	MVE 2100/12E	D	70	616	556	170	140	155	225	22	4	272	295	40	140	267	250	235
MVE 2600/1E	MVE 2600/12E	D	75	708	588	200	140	155	255	23.5	4	302	318	35	147	295	273	264
MVE 3000/1E	MVE 3000/12E	D	75	708	608	200	150	155	255	23.5	4	302	318	35	147	295	273	264
MVE 5210/1E	MVE 5210/12E	E	78	794		242		105	248	22	6	300	335	30	163	305	310	284
MVE 3800/1E	MVE 3800/12E	D	80	683	603	170	130	180	280	26	4	332	360	37	167	345	304	310
MVE 4700/1E	MVE 4700/12E	D	80	733	683	195	170	180	280	26	4	332	360	37	167	345	304	310
MVE 5200/1E	MVE 5200/12E	D	85	688	605	160	120	200	320	28	4	378	411	49	200	424	325	378
MVE 6500/1E	MVE 6500/12E	D	85	688		160		200	320	28	4	378	411	49	200	424	325	378
MVE 8000/1E	MVE 8000/12E	D	85	788	688	210	160	200	320	28	4	378	411	49	200	424	325	378
MVE 9000/1E	MVE 9000/12E	D	85	788	688	210	160	200	320	39	4	378	411	49	200	424	325	378
MVE 10000/1E	MVE 10000/12E	E	90	826		210		125	380	39	6	452	430	44	204	422	367	378
MVE 13000/1	NA	E	90	926	-	260	-	125	380	39	6	452	430	44	204	422	367	378

NOTE: Dimensions with coarse degree of accuracy related to UNI 22768/1

This information is provided without warranty, representation, inducement or licence of any kind. It is accurate to the best OLI knowledge or is obtained from sources believed to be accurate. OLI therefore assumes no legal responsibility.

STANDARD

EXPLOSION-PROOF

HI-STROKE MILLING



MVE-E INCREASED SAFETY

8 POLES - 750/900 rpm

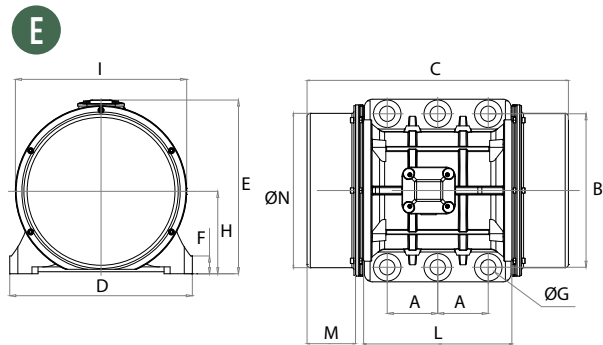
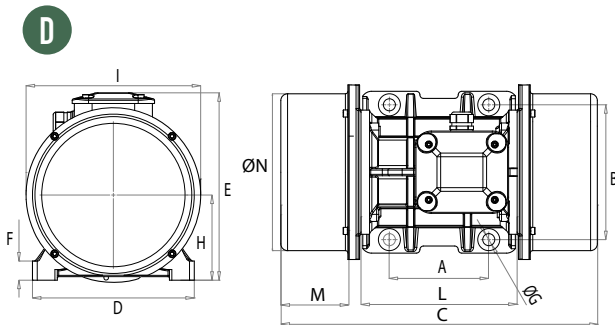


Wm (kgcm)		Model		Centrifugal Force (kg)		Weight (kg)		ELECTRICAL SPECIFICATIONS							CERTIFICATE	
								Input Power (kW)		Nominal Current A max. (Y)		Ia / In		Cable Gland	Class II Div.2	Ex II3D
50Hz	60Hz	50Hz	60Hz	50Hz	60Hz	50Hz	60Hz	50Hz	60Hz	50Hz (400V)	60Hz (460V)	50Hz	60Hz	Metric	Temp. Class	Temp. Class
33.39		MVE 150/075E	MVE 150/090E	105	151	21.4		0.23	0.25	1.14	1.14	1.5	1.5	M20	T4	100°C
56.93		MVE 250/075E	MVE 250/090E	179	257	29.5		0.35	0.38	1.15	1.15	1.7	1.7	M20	T4	100°C
84.02		MVE 400/075E	MVE 400/090E	264	380	35.0		0.35	0.38	1.15	1.15	1.9	1.9	M20	T4	100°C
137.31		MVE 650/075E	MVE 650/090E	431	621	64.7		0.50	0.60	1.20	1.20	2.2	2.2	M25	T4	135°C
187.72		MVE 900/075E	MVE 900/090E	589	849	71.0		0.65	0.78	1.23	1.29	2.5	2.5	M25	T4	135°C
299.60		MVE 1300/075E	MVE 1300/090E	941	1355	99.8		1.20	1.10	2.50	1.83	3.0	3.0	M25	T4	135°C
467.41		MVE 2100/075E	MVE 2100/090E	1468	2114	150.4		1.50	1.80	2.81	2.89	4.2	4.1	M32	T4	135°C
680.34		MVE 3100/075E	MVE 3100/090E	2137	3077	212.2		2.00	2.30	3.79	3.77	4.0	4.0	M32	T4	135°C
838.43		MVE 3800/075E	MVE 3800/090E	2633	3792	230.2		2.50	3.00	6.00	6.00	3.9	4.0	M32	T4	135°C
929.74		MVE 4200/075E	MVE 4200/090E	2920	4205	284.5		2.90	3.40	6.50	6.50	3.8	3.7	M32	T4	135°C
1165.22		MVE 5300/075E	MVE 5300/090E	3660	5270	305		4.00	4.30	8.50	8.00	3.8	4.2	M32	T4	135°C
1435.85		MVE 6500/075E	MVE 6500/090E	4510	6494	324.4		5.00	5.90	10.00	10.00	3.6	4.0	M32	T4	135°C
										A max. (Δ)						
2200.43		MVE 10000/075E	MVE 10000/090E	6911	9952	422.2		6.80	7.50	13.50	12.5	3.5	4.2	M32	T4	135°C



60Hz masses = 50Hz masses adjusted at 100%

To convert kg into Newton: $N = 9.81 \cdot kg$



Model		Drawing	Size	DIMENSIONAL SPECIFICATIONS (mm)													
				C		M		A	B	Ø G	Holes	D	E	F	H	I	L
50Hz	60Hz			50Hz	60Hz	50Hz	60Hz										
MVE 150/075E	MVE 150/090E	D	40	334	78	105	140	13	4	168	196	22	92	169	178	158	
MVE 250/075E	MVE 250/090E	D	50	391	93	120	170	17	4	208	210	22	94	180	205	170	
MVE 400/075E	MVE 400/090E	D	50	451	123	120	170	17	4	208	210	22	94	180	205	170	
MVE 650/075E	MVE 650/090E	D	60	446	96	140	190	17	4	229	262	30	120	247	220	222	
MVE 900/075E	MVE 900/090E	D	60	510	129	140	190	17	4	229	262	30	120	247	220	222	
MVE 1300/075E	MVE 1300/090E	D	70	556	140	155	225	22	4	272	295	40	140	267	250	235	
MVE 2100/075E	MVE 2100/090E	D	75	708	200	155	255	23.5	4	302	318	35	147	295	273	264	
MVE 3100/075E	MVE 3100/090E	D	80	683	170	180	280	26	4	332	360	37	167	345	304	310	
MVE 3800/075E	MVE 3800/090E	D	80	733	195	180	280	26	4	332	360	37	167	345	304	310	
MVE 4200/075E	MVE 4200/090E	D	85	688	160	200	320	28	4	378	410	49	199	422	325	378	
MVE 5300/075E	MVE 5300/090E	D	85	688	160	200	320	28	4	378	410	49	199	422	325	378	
MVE 6500/075E	MVE 6500/090E	D	85	788	210	200	320	28	4	378	410	49	199	422	325	378	
MVE 10000/075E	MVE 10000/090E	E	90	926	260	125	380	39	6	452	430	44	204	422	367	378	

NOTE: Dimensions with coarse degree of accuracy related to UNI 22768/1

This information is provided without warranty, representation, inducement or licence of any kind. It is accurate to the best OLI knowledge or is obtained from sources believed to be accurate. OLI therefore assumes no legal responsibility.

MVE-D



» II 2GD Ex d IIB T4 Ex tD A21 IP66 T135°C
 » Ex d IIB T4 Gb
 » Ex tD A21 IIIC T135°C Db IP66
 » Class I Div.1 groups C, D Class II Div.1 groups E, F, G T4 IP66

MVE-D5



» II 2G Ex d IIB T3
 » Ex d IIB T3 Gb
 » Class I Div.1 groups C, D T3



MVE-D EXPLOSION-PROOF



2 POLES - 3000/3600 rpm

Wm (kgcm)		Model		Centrifugal Force (kg)		Weight (kg)		ELECTRICAL SPECIFICATIONS						
50Hz	60Hz	50Hz	60Hz	50Hz	60Hz	50Hz	60Hz	Input Power (kW)		Nominal Current A max. (Y)		Ia / In		Cable Gland
50Hz	60Hz	50Hz	60Hz	50Hz	60Hz	50Hz	60Hz	50Hz	60Hz	50Hz (400V)	60Hz (460V)	50Hz	60Hz	Metric
15.68	11.06	MVE 800/3D	MVE 800/36D	794	800	29.0		0.75	0.90	1.45	1.50	3.80	3.80	M20
26.58	18.60	MVE 1300/3D	MVE 1300/36D	1355	1365	30.4		1.30	1.38	2.44	2.25	5.20	5.00	M20
31.26	22.22	MVE 1600/3D	MVE 1600/36D	1601	1608	60.0	59.6	1.57	1.60	2.94	2.61	5.90	6.20	M25
36.78	27.60	MVE 2000/3D	MVE 2000/36D	2027	1997	61.2	60.4	2.00	2.10	3.75	3.42	6.50	6.40	M25
45.97	31.87	MVE 2300/3D	MVE 2300/36D	2302	2306	62.0	60.0	2.40	2.45	4.44	3.94	6.00	6.30	M25
68.10	43.89	MVE 3200/3D	MVE 3200/36D	3252	3176	111.4	109.8	2.90	2.90	5.30	4.61	8.30	8.20	M32
79.40	55.99	MVE 4000/3D	MVE 4000/36D	4033	4052	115.4	111.4	2.90	2.90	5.30	4.61	8.5	9.7	M32

4 POLES - 1500/1800 rpm

Wm (kgcm)		Model		Centrifugal Force (kg)		Weight (kg)		ELECTRICAL SPECIFICATIONS						
50Hz	60Hz	50Hz	60Hz	50Hz	60Hz	50Hz	60Hz	Input Power (kW)		Nominal Current A max. (Y)		Ia / In		Cable Gland
50Hz	60Hz	50Hz	60Hz	50Hz	60Hz	50Hz	60Hz	50Hz	60Hz	50Hz (400V)	60Hz (460V)	50Hz	60Hz	Metric
56.83	39.36	MVE 700/15D	MVE 700/18D	714	712	35.8		0.62	0.73	1.32	1.41	3.00	3.20	3/4" NPT
88.67	56.83	MVE 1100/15D	MVE 1100/18D	1114	1028	44.2	39.2	0.65	0.78	1.50	1.70	3.80	3.80	
108.57	76.72	MVE 1400/15D	MVE 1400/18D	1364	1388	68.2	66.6	0.90	1.10	1.71	1.78	4.00	4.00	
137.31	91.98	MVE 1700/15D	MVE 1700/18D	1725	1664	70.2	67.8	1.15	1.30	2.16	2.09	4.70	4.50	
187.69	137.36	MVE 2400/15D	MVE 2400/18D	2358	2485	76.4	70.4	1.60	1.90	3.00	3.20	4.90	4.90	
203.53	135.65	MVE 2500/15D	MVE 2500/18D	2557	2454	98.4	92.4	1.80	2.00	3.40	3.40	6.00	6.10	
248.66	169.75	MVE 3000/15D	MVE 3000/18D	3124	3071	105.9	95.4	1.90	2.30	3.70	3.80	6.50	6.60	
306.69	204.74	MVE 3800/15D	MVE 3800/18D	3853	3704	138.4	126.8	2.20	2.60	4.12	4.15	6.80	6.80	
306.69	204.74	MVE 3810/15D	MVE 3810/18D	3853	3704	140.5	128.9	2.20	2.60	4.12	4.15	6.80	6.80	
193.00	193.00	MVE 3811/15D	MVE 3811/18D	2425	3492	128.6	128.6	2.20	2.60	4.12	4.15	6.80	6.80	
343.22	240.95	MVE 4300/15D	MVE 4300/18D	4312	4359	142.8	132.0	2.50	3.00	5.70	5.80	7.00	7.20	
437.39	303.74	MVE 5500/15D	MVE 5500/18D	5495	5495	200.6	198.4	3.60	3.45	6.50	6.60	7.10	7.00	



UP TO SIZE 50 (INCLUDED)
 60Hz masses = 50Hz masses adjusted at 70%
 Except for model MVE 1100/15D - 1100/18D



ABOVE SIZE 50 (NOT INCLUDED)
 Specific masses for 60Hz

To convert kg into Newton: **N = 9.81 · kg**



Declaration of conformity
"type B" according to:
2006/95/EC - 2004/108/EC
2006/42/EC - EN 60034-1



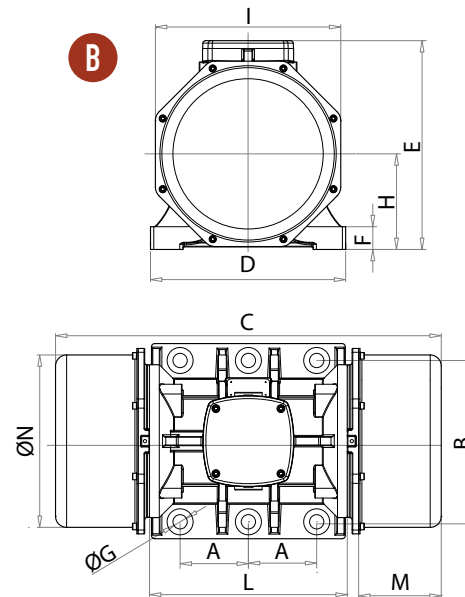
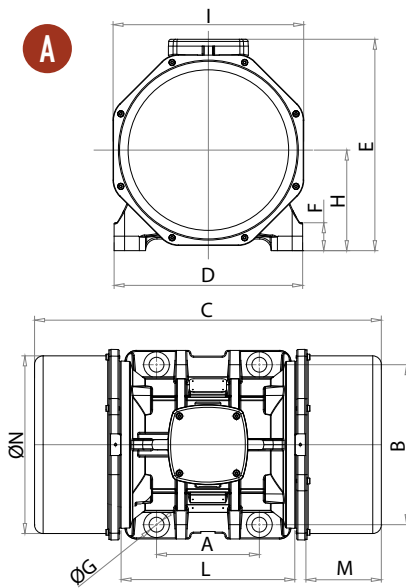
» IEC60079-0; IEC60079-1;
IEC60079-31
IECEx TUN 08.0012X



» TÜV 08 ATEX 362386 X



» Conform to UL 1836, UL1004-1,
UL674
» Cert. CSA C22.2 N. 25, 100, 145



DIMENSIONAL SPECIFICATIONS (mm)

Model		Drawing	Size	C		M		A	B	Ø G	Holes N°	D	E	F	H	I	L	N
50Hz	60Hz			50Hz	60Hz													
MVE 800/3D	MVE 800/36D			A	50	335	65											
MVE 1300/3D	MVE 1300/36D	A	50	335	65	120	170	17	4	209	240	27.5	103	195	205	166.5		
MVE 1600/3D	MVE 1600/36D	A	60	478	105	140	190	17	4	234	267	31	124	238	234	222		
MVE 2000/3D	MVE 2000/36D	A	60	478	105	140	190	17	4	234	267	31	124	238	234	222		
MVE 2300/3D	MVE 2300/36D	A	63	478	105	140	190	22	4	234	267	31	124	238	234	222		
MVE 3200/3D	MVE 3200/36D	A	75	569	115	155	255	23.5	4	300	321	35	147	285	298	265		
MVE 4000/3D	MVE 4000/36D	A	75	569	115	155	255	23.5	4	300	321	35	147	285	298	265		

DIMENSIONAL SPECIFICATIONS (mm)

Model		Drawing	Size	C		M		A	B	Ø G	Holes N°	D	E	F	H	I	L	N
50Hz	60Hz			50Hz	60Hz													
MVE 700/15D	MVE 700/18D			A	50	405	100											
MVE 1100/15D	MVE 1100/18D	A	50	467	405	131	100	120	170	17	4	209	240	28	103	195	205	166.5
MVE 1400/15D	MVE 1400/18D	A	60	478	105	140	190	17	4	234	267	31	124	238	234	222		
MVE 1700/15D	MVE 1700/18D	A	63	478	105	140	190	22	4	234	267	31	124	238	234	222		
MVE 2400/15D	MVE 2400/18D	A	63	538	135	140	190	22	4	234	267	31	124	238	234	222		
MVE 2500/15D	MVE 2500/18D	A	70	526	115	155	225	22	4	274	309	35	140	255	264	236		
MVE 3000/15D	MVE 3000/18D	A	70	590	147	155	225	22	4	274	309	35	140	255	264	236		
MVE 3800/15D	MVE 3800/18D	A	75	619	140	155	255	23.5	4	300	321	35	147	285	304	265		
MVE 3810/15D	MVE 3810/18D	B	77	619	140	105	248	22	6	300	321	35	147	285	304	265		
MVE 3811/15D	MVE 3811/18D	B	77	619	140	106	249	23	6	300	322	36	147	285	305	265		
MVE 4300/15D	MVE 4300/18D	A	75	619	140	155	255	23.5	4	300	321	35	147	285	304	265		
MVE 5500/15D	MVE 5500/18D	A	80	613	135	180	280	26	4	330	370	50	176	334	304	311		

NOTE: Dimensions with coarse degree of accuracy related to UNI 22768/1

This information is provided without warranty, representation, inducement or licence of any kind. It is accurate to the best OLI knowledge or is obtained from sources believed to be accurate. OLI therefore assumes no legal responsibility.

STANDARD

INCREASED SAFETY

EXPLOSION-PROOF

HI-STROKE MILLING

MVE-D



» II 2GD Ex d IIB T4 Ex tD A21 IP66 T135°C
 » Ex d IIB T4 Gb
 » Ex tD A21 IIIC T135°C Db IP66
 » Class I Div.1 groups C, D Class II Div.1 groups E, F, G T4 IP66

MVE-D5



» II 2G Ex d IIB T3
 » Ex d IIB T3 Gb
 » Class I Div.1 groups C, D T3



MVE-D EXPLOSION-PROOF



6 POLES - 1000/1200 rpm

Wm (kgcm)		Model		Centrifugal Force (kg)		Weight (kg)		ELECTRICAL SPECIFICATIONS							
50Hz	60Hz	50Hz	60Hz	50Hz	60Hz	50Hz	60Hz	Input Power (kW)		Nominal Current A max. (Y)		Ia / In		Cable Gland	
50Hz	60Hz	50Hz	60Hz	50Hz	60Hz	50Hz	60Hz	50Hz	60Hz	50Hz (400V)	60Hz (460V)	50Hz	60Hz	Metric	
91.88		MVE 500/1D	MVE 500/12D	513	739		34.0	0.35	0.40	1.20	1.15	2.80	2.70	3/4" NPT	
137	109	MVE 800/1D	MVE 800/12D	767	873		70.2	0.68	0.76	1.29	1.26	2.80	2.80		
188	137	MVE 1100/1D	MVE 1100/12D	1048	1104	87.8	81.4	0.75	0.80	1.42	1.32	3.20	3.10		
285	197	MVE 1500/1D	MVE 1500/12D	1590	1580	92.0	84.9	1.10	1.30	2.10	2.00	3.30	3.30		
300	203	MVE 1600/1D	MVE 1600/12D	1673	1636	108.4	97.4	1.10	1.30	2.83	3.22	3.70	3.60		
373	249	MVE 2100/1D	MVE 2100/12D	2083	2000	122.7	108.9	1.50	1.80	3.00	3.00	4.30	4.40		
467	307	MVE 2600/1D	MVE 2600/12D	2610	2466	157.0	139.9	1.96	2.10	3.63	3.38	4.80	4.80		
540	380	MVE 3000/1D	MVE 3000/12D	3017	3053	163.8	146.2	2.20	2.40	4.50	4.30	5.00	5.00		
680	437	MVE 3800/1D	MVE 3800/12D	3799	3517	224.0	203.2	2.50	3.00	4.67	4.88	5.90	6.00		
838	584	MVE 4700/1D	MVE 4700/12D	4681	4697	239.2	220.8	3.20	3.90	6.50	6.00	5.50	5.70		



UP TO SIZE 60 (INCLUDED)
 60Hz masses = 50Hz masses adjusted at 70%



ABOVE SIZE 60 (NOT INCLUDED)
 Specific masses for 60Hz
 Except for model MVE 1500/1D - 1500/12D

8 POLES - 750/900 rpm

Wm (kgcm)		Model		Centrifugal Force (kg)		Weight (kg)		ELECTRICAL SPECIFICATIONS							
50Hz	60Hz	50Hz	60Hz	50Hz	60Hz	50Hz	60Hz	Input Power (kW)		Nominal Current A max. (Y)		Ia / In		Cable Gland	
50Hz	60Hz	50Hz	60Hz	50Hz	60Hz	50Hz	60Hz	50Hz	60Hz	50Hz (400V)	60Hz (460V)	50Hz	60Hz	Metric	
56.93		MVE 250/075D	MVE 250/090D	179	257		37.9	0.35	0.38	1.15	1.15	1.70	1.70	3/4" NPT	
84.02		MVE 400/075D	MVE 400/090D	264	380		43.4	0.35	0.38	1.15	1.15	1.90	1.90		
137.31		MVE 650/075D	MVE 650/090D	431	621		73.1	0.50	0.60	1.20	1.20	2.20	2.20		
187.72		MVE 900/075D	MVE 900/090D	589	849		79.4	0.65	0.78	1.23	1.29	2.50	2.50		
299.60		MVE 1300/075D	MVE 1300/090D	941	1355		108.2	1.00	1.10	1.86	1.83	3.00	3.00		
467.41		MVE 2100/075D	MVE 2100/090D	1468	2114		158.8	1.50	1.80	2.81	2.89	4.20	4.10		
680.34		MVE 3100/075D	MVE 3100/090D	2137	3077		220.6	2.00	2.30	3.79	3.77	4.00	4.00		
838.43		MVE 3800/075D	MVE 3800/090D	2633	3792		238.6	2.50	3.00	6.00	6.00	3.90	4.00		



60Hz masses = 50Hz masses adjusted at 100%

To convert kg into Newton: $N = 9.81 \cdot kg$



Declaration of conformity
"type B" according to:
2006/95/EC - 2004/108/EC
2006/42/EC - EN 60034-1



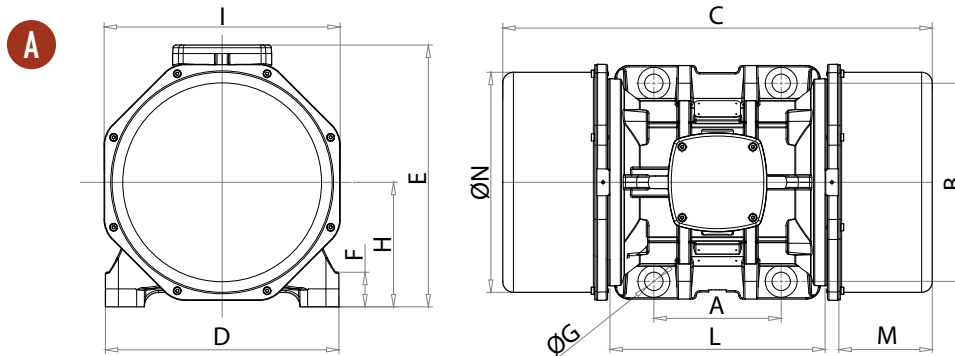
» IEC60079-0; IEC60079-1;
IEC60079-31
IECEx TUN 08.0012X



» TÜV 08 ATEX 362386 X



» Conform to UL 1836, UL1004-1,
UL674
» Cert. CSA C22.2 N. 25, 100, 145



Model		Drawing	Size	DIMENSIONAL SPECIFICATIONS (mm)													
50Hz	60Hz			C		M		A	B	Ø G	Holes	D	E	F	H	I	L
				50Hz	60Hz	50Hz	60Hz			N°							
MVE 500/1D	MVE 500/12D	A	50	467	131	120	170	17	4	209	240	28	103	195	205	166.5	
MVE 800/1D	MVE 800/12D	A	60	478	105	140	190	17	4	234	267	31	124	238	234	222	
MVE 1100/1D	MVE 1100/12D	A	63	538	135	140	190	22	4	234	267	31	124	238	234	222	
MVE 1500/1D	MVE 1500/12D	A	60	598	165	140	190	17	4	234	267	31	124	238	234	222	
MVE 1600/1D	MVE 1600/12D	A	70	590	147	155	225	22	4	274	309	35	140	255	264	236	
MVE 2100/1D	MVE 2100/12D	A	70	650	177	155	225	22	4	274	309	35	140	255	264	236	
MVE 2600/1D	MVE 2600/12D	A	75	739	200	155	255	23.5	4	300	321	35	147	285	304	265	
MVE 3000/1D	MVE 3000/12D	A	75	739	200	155	255	23.5	4	300	321	35	147	285	304	265	
MVE 3800/1D	MVE 3800/12D	A	80	693	175	180	280	26	4	330	370	50	176	334	304	311	
MVE 4700/1D	MVE 4700/12D	A	80	753	205	180	280	26	4	330	370	50	176	334	304	311	

Model		Drawing	Size	DIMENSIONAL SPECIFICATIONS (mm)													
50Hz	60Hz			C		M		A	B	Ø G	Holes	D	E	F	H	I	L
				50Hz	60Hz	50Hz	60Hz			N°							
MVE 250/075D	MVE 250/090D	A	50	405	100	120	170	17	4	209	240	28	103	195	205	166.5	
MVE 400/075D	MVE 400/090D	A	50	467	131	120	170	17	4	209	240	28	103	195	205	166.5	
MVE 650/075D	MVE 650/090D	A	60	478	105	140	190	17	4	234	267	31	124	238	234	222	
MVE 900/075D	MVE 900/090D	A	63	538	135	140	22	17	4	234	267	31	124	238	234	222	
MVE 1300/075D	MVE 1300/090D	A	70	590	147	155	225	22	4	274	309	35	140	255	264	236	
MVE 2100/075D	MVE 2100/090D	A	75	739	200	155	255	23.5	4	300	321	35	147	285	304	265	
MVE 3100/075D	MVE 3100/090D	A	80	693	175	180	280	26	4	330	370	50	176	334	304	311	
MVE 3800/075D	MVE 3800/090D	A	80	753	205	180	280	26	4	330	370	50	176	334	304	311	

NOTE: Dimensions with coarse degree of accuracy related to UNI 22768/1

This information is provided without warranty, representation, inducement or licence of any kind. It is accurate to the best OLI knowledge or is obtained from sources believed to be accurate. OLI therefore assumes no legal responsibility.

STANDARD

INCREASED SAFETY

EXPLOSION-PROOF

HI-STROKE MILLING



- » II3 D Ex tD A22 Tx IP66
- » TÜV NORD Statement Conformity Number TÜV 05 ATEX 2768X
- » Equipment and protective system intended for use in potentially explosive atmospheres (Zone 22) - Directive 94/9/EC
- » Compliance with Essential Health and Safety Requirements
- » IEC 60079-10-2



MVE HI-STROKE MILLING



8 POLES - 750 rpm

10 POLES - 600/720 rpm

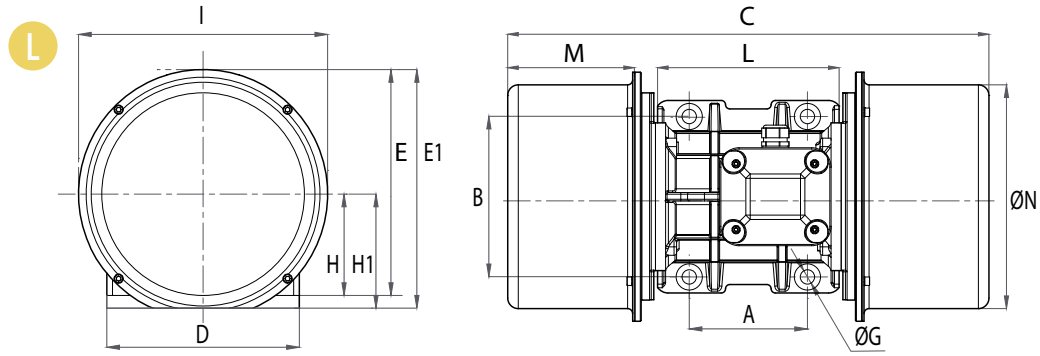


Wm (kgcm)		Model		Centrifugal Force (kg)		Weight (kg)		ELECTRICAL SPECIFICATIONS							CERTIFICATE
								Input Power (kW)		Nominal Current		Ia / In		Cable Gland	Ex II3D
50Hz	60Hz	50Hz	60Hz	50Hz	60Hz	50Hz	60Hz	50Hz	60Hz	50Hz	60Hz	Metric	Temp. Class		
8 POLES										A max. (Y)					
383.2	-	MVE 1200/075	NA	1203	-	94.0		0,65	-	1,30	-	2,5	-	M25	135°C
471.2	-	MVE 1400/075	NA	1480	-	104.0		0,65	-	1,50	-	2,5	-	M25	135°C
10 POLES										A max. (Δ)					
383.20		MVE 1200/060	MVE 1200/072	770	1110	94		0,78	0,78	1,40	1,30	1,50	1,50	M25	100°C
471.20		MVE 1400/060	MVE 1400/072	947	1364	104		0,78	0,78	1,40	1,30	1,50	1,50	M25	100°C



60Hz masses = 50Hz masses adjusted at 100%

To convert kg into Newton: $N = 9.81 \cdot kg$



Model			Drawing	Size	DIMENSIONAL SPECIFICATIONS (mm)															
					C		M		A	B	ØG	Holes	D	E	E1	F	H	H1	I	L
50Hz	60Hz				50Hz	60Hz	50Hz	60Hz				N°								
MVE 1200/075	NA	L	60		570	150	140	190	17	4	228	268	283	23	120	135	295	220	265	
MVE 1400/075	NA	L	60		570	140	140	190	17	4	228	268	283	23	120	135	295	220	265	
MVE 1200/060	MVE 1200/072	L	60		570	150	140	190	17	4	228	268	283	23	135	135	295	220	265	
MVE 1400/060	MVE 1400/072	L	60		570	150	140	190	17	4	228	268	283	23	135	135	295	220	265	

NOTE: Dimensions with coarse degree of accuracy related to UNI 22768/1

This information is provided without warranty, representation, inducement or licence of any kind. It is accurate to the best OLI knowledge or is obtained from sources believed to be accurate. OLI therefore assumes no legal responsibility.



INSTALLATION

Mounting

The base plate surface where the vibrator motor is mounted has an allowable tolerance of 0.25mm (0.01in), so that the surfaces rest uniformly against each other to avoid internal tension that may cause breakage of the foot of the vibrator motor.

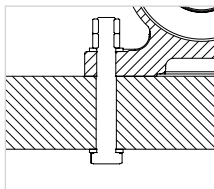
Use 8.8 type bolts, 8.0 type nuts and flat washers belonging to category A EN ISO 7089 / 7092.

The graph below show the correct torque settings for the different bolt sizes used on the motor vibrators.

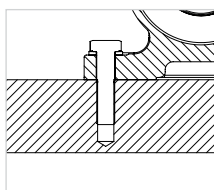
Motor / Machine interface

Screw		Washer		Clamping torque	
Metric	Imperial	Metric UNI 6592	Imperial Flat washer	(Nm)	(ft-lb)
M6	1/4"	6.4 x 12	1/4"	9	6.5
M8	5/16"	8.4 x 16	5/16"	23	16.5
M10	3/8"	10.5 x 20	3/8"	45	33
M12	1/2"	13 x 24	1/2"	80	58
M16	5/8"	17 x 30	5/8"	185	137
M20	13/16"	21 x 37	13/16"	373	275
M22	7/8"	23 x 39	7/8"	550	411
M24	15/16"	25 x 44	15/16"	696	513
M27	1"	28 x 50	1"	873	645
M36	1-3/8"	37 x 66	1-3/8"	1,864	1,370

FIXING

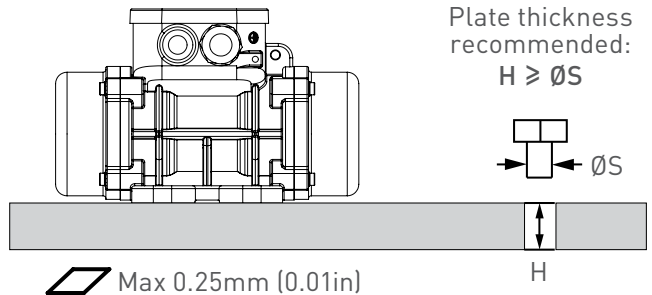


Smooth through borehole
+ screw
+ flat washer
+ nut and conternut



Tapped threaded borehole
+ screw
+ flat washer

SURFACE FLATNESS TOLERANCE



MACHINED & NOT PAINTED SUPPORT PLATE



Electrical connection

Make sure the voltage and frequency supply match the ones indicated on the rating plate of the electric vibrator.

If the motor is operated via a variable frequency drive do not run it under 20 Hz and not over the rated frequency.

Insert the power cable through the cable gland. The lead-in wires have to be of the eyelet-type, pre-insulated, with a bore that suits the terminals of the junction box in order to prevent overheating of the wire. Use only conductors that have a suitable cross-section.

Connect the lead wires to the pins (as shown in the diagram below) and tighten them with the specified torque:

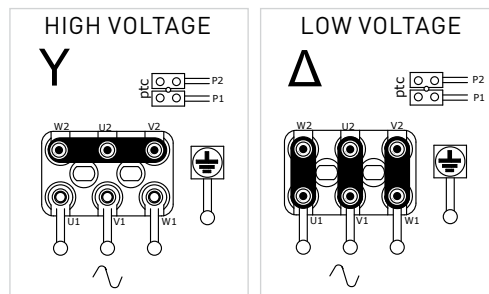
Do not forget to fix the earthing cable to the provided studs (compulsory connection)!

Before closing the junction box make sure the cover gasket is properly fitted in order to keep the specified IP protection.

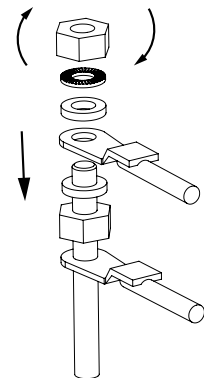
For more details on motor installation refer to product manuals.

Junction box nuts tightening torque		
Screw	Nm	ft*lb
M4	2.5	1.84
M5	4	2.95
M6	5	3.69
M8	6	4.43
M10	8	5.90

TERMINAL CONNECTIONS



Check "Nominal Current" column label to know the factory preset connection of each motor.



Overload protection

All electric vibrators **MUST** be connected to a suitable external overload protection.

When using two electric vibrators in sync, each of them has to be connected to an external overload protector and these overload protectors must be interlocked to make sure both motors are stopped if one fails.

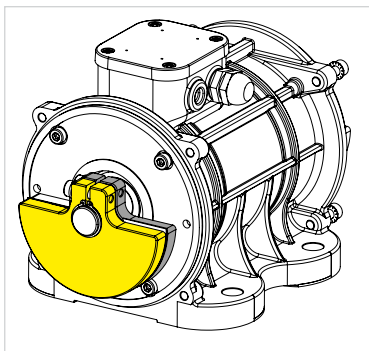
Always use a thermal-magnetic type motor protector, with delayed cut-off, to avoid stopping the motor during start-up when the current draw is higher than the rated running current for a few seconds.

Cut-off of the overload protection should be set at a maximum of +10% of the rated current.

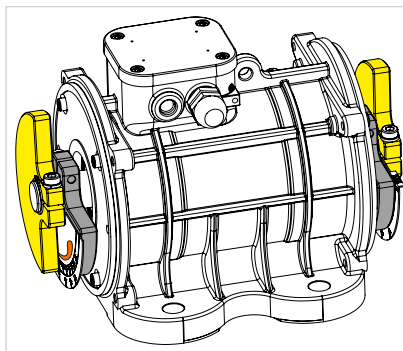


HOW TO CHANGE THE VIBRATION INTENSITY

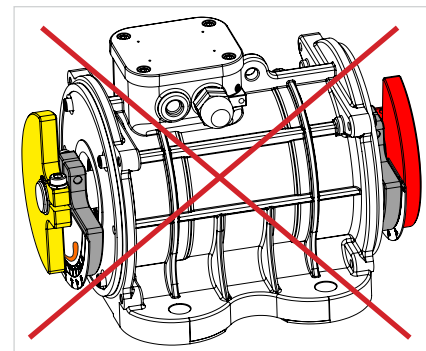
Adjustable masses – Type A



MASSES AT 100%



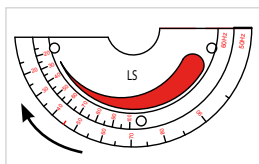
ADJUSTED MASSES



INCORRECTLY ADJUSTED MASSES

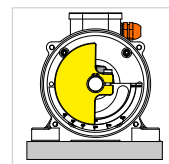
2 TIPS TO CORRECTLY ADJUST MASSES:

Rotate the mass following the design on the plate: from the thicker tip towards the thin tip.

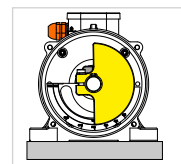


left side of the motor, for sizes up to 60

Rotate the masses in the opposite direction to the cable gland.

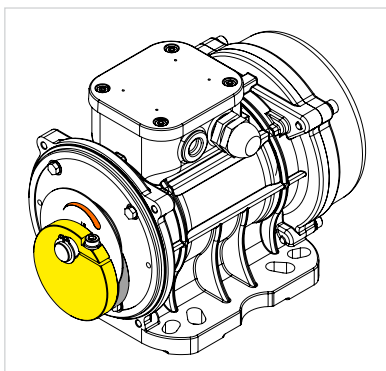


left side

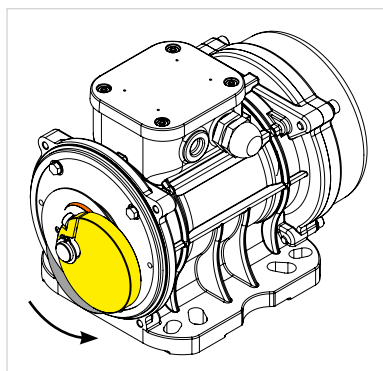


right side

Adjustable masses – Type B

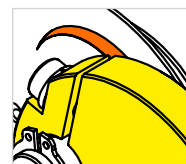


MASSES AT 100%

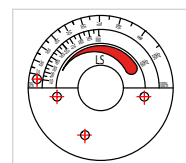


ADJUSTED MASSES

The fissure in the mass indicates the degree of adjustment.

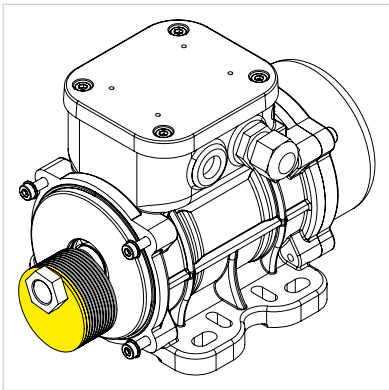


Rotate the mass following the design on the plate: from the thicker tip towards the thin tip.

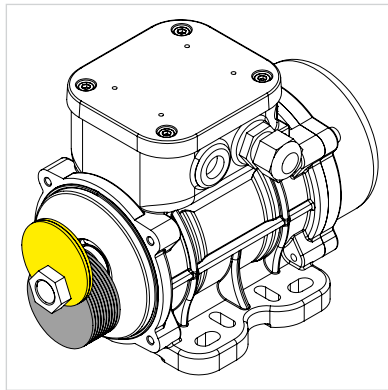




Adjustable masses - Type C (blade masses)



MASSES AT 100%



ADJUSTED MASSES

For technical information on the regulation of blade masses refer to the Use and Maintenance Manual.



Warning:
DO NOT grease new motors before installation.

OLI motors with roller bearings leave the factory filled with the right quantity of grease while those with ball bearing do not need any lubrication.

WHEN YOU NEED IT, WHERE YOU NEED IT


THE WORLDWIDE LEADER IN VIBRATION TECHNOLOGY


WWW.OLIVIBRA.COM



OLI Headquarters

VIA CANALAZZO, 35
41036 MEDOLLA (MO) - ITALY

 +39 0535 41 06 11

 +39 0535 41 06 50

 INFO@OLIVIBRA.COM

OLI worldwide

OLI Australia

OLI Benelux

OLI Brazil

OLI China

OLI France

OLI Germany

OLI India

OLI Italy

OLI Middle East

OLI Nordic

OLI Romania

OLI Russia

OLI South Africa

OLI Spain

OLI Turkey

OLI UK

OLI USA