

# Flour Milling

## VM Pinch Valves

30



### Description ▼

The casing of the VM Pinch Valve is manufactured from aluminium alloy. The sleeves are made from fabric-reinforced NR or NBR. The sleeve support bushes are either made from aluminium alloy or 304/316 stainless steel.

### Function ▼

VM-type Pinch Valves are used for interception of the material flow in pneumatic conveying systems, or other pipelines. They can be also installed as a locking device for silo filling pipes.

In the open position the internal cross section of the valve is identical with the connecting pipe diameter. By introducing compressed air or, especially with small valves, water under pressure through the threaded bore into the interior of the valve, the internal flexible sleeve is reshaped in such a way that the passage is hermetically sealed.



### Application ▼

VM Pinch Valves equally handle pneumatically conveyed powders, granules, fibres, dense mixtures and liquids. They are fitted directly to the pneumatic conveying ducts wherever needed to interrupt the flow of material.

### Benefits ▼

- ✓ No product contamination due to the 304/316 SS sleeve support bushes and white colour NBR sleeve;
- ✓ ATEX zone 22-certified;
- ✓ Full bore-through passage without any pressure loss and stagnation points;
- ✓ No contact between material handled and casing;
- ✓ Particularly low air consumption;
- ✓ Time-saving sleeve and bush replacement;
- ✓ Sleeves in fabric-reinforced NR or NBR;
- ✓ Compact overall dimensions;
- ✓ Lightweight due to valve body made from aluminium alloy;
- ✓ No maintenance required except for periodic replacement of sleeve and bushes.

# Flour Milling

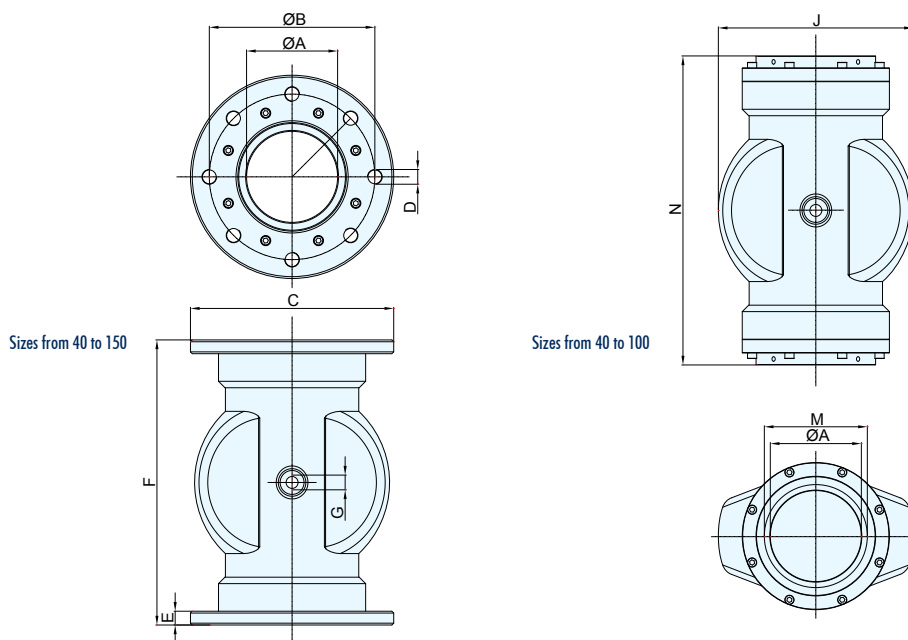
## VM Pinch Valves



### Technical Features / Performance ▼

- ▶ Passage diameter from 40mm to 150mm (1½ to 6 in)
- ▶ Maximum working pressure: 3.5 bar (52 PSI)
- ▶ Maximum inflation pressure: 6.0 bar (90 PSI)
- ▶ Recommended maximum differential pressure: 2.5 bar (37 PSI)
- ▶ Different sleeve materials suitable for material handled: NR or NBR
- ▶ Different connections
- ▶ Different types of bushes suitable for material handled: aluminium alloy or 304/316 SS

### Overall Dimensions ▼



TYPE	A	B	C	D		E	F	G	H	J	L	M	N	kg
				$\varnothing$	n°									
VM040	40	110	150	M 16	4	12	178	1/8"		99		1 + 1/2"	202	2.2
VM050	50	125	165	M 16	4	15	190	1/4"		120		2"	214	3.4
VM065	65	145	185	M 16	4	15	225	1/4"		138		2 + 1/2"	230	4.0
VM080	80	160	200	M 16	4	15	270	1/4"		180		3"	294	5.4
VM0100	100	180	220	M 16	8	15	310	1/4"		214		4"	334	7.6
VM0125	125	210	250	M 16	8	15	350	1/4"		250				10.2
VM0150	150	240	285	M 16	8	18	396	1/4"		285				15.6

*This datasheet might not show the complete range but only the models most suitable for the application.*